

FALKO

FALKO 4

MAIN CHARACTERISTICS

Applications	Urban and architectural lighting.
Optic	SSP-S15: Symmetrical optic for narrow-beam architectural lighting. SP-M25: Symmetrical Optic for medium-beam architectural lighting. SP-W40: Symmetrical Optic for wide-beam architectural lighting. SP-WW60: Symmetrical Optic for architectural wide-beam lighting. EL-15-60: Symmetrical optic for elliptical beam architectural lighting. Colour temperature: 4000K, 3000K, 2700K, 2200K (others in option) CRI ≥80 Photobiological safety class: EXEMPT GROUP LED source efficiency: 185 lm/W @ 140mA, T _j =85°C, 4000K
Insulation class	II, I
Protection degree	IP66/IP67 IK09
Dimensions	See Drawing
Weight	max 11.5 kg
Exposed surface	Side: 0.05m ² – Top: 0.13m ²
Mounting	Integrated bracket for Ø76 - Ø102 - Ø127 pole installation. Integrated bracket for wall installation.
Tilt Angle	±90°
LED Modules	Removable / Replaceable
Gear tray	Removable / Replaceable
Operating temp.	-40°C / +50°C
Storage temperature	-40°C / +80°C
Main reference standards	EN 60598-1, EN 60598-2-5, EN 62471, EN 55015, EN 61547, EN 61000-3-2, EN 61000-3-3



ELECTRICAL CHARACTERISTICS

Rated voltage	220÷240V 50/60Hz (Standard tolerance ±10%. Other voltages and tolerances on request)
Power factor	>0.9 (at full load, F, DA, DAC)
Mains connection	Cable H07RN-F nx1mm ² Optional: connector M/F IP66/68 for cables max. 2.5mm ² , Ø max. 12mm
Surge protection	Up to 12kV With SPD: CL.II: 10kV / 10kV CM/DM CL.I: 12kV / 10kV CM/DM Without SPD: CL.II: 10kV / 6kV CM/DM CL.I: 10kV / 6kV CM/DM
SPD (optional)	12kV-10kA, type 2+3, with LED signal and thermo fuse to disconnect load at the end of life.
Control system (options)	F: Fixed power not dimmable. DA: Automatic dimming (virtual midnight) with default profile. DAC: Custom DA profile. FLC: Constant light flux. DALI: Digital dimming interface DALI.
Optical unit lifetime (T_q=25°C)	>100.000hr L90B10 >100.000hr L90, TM-21

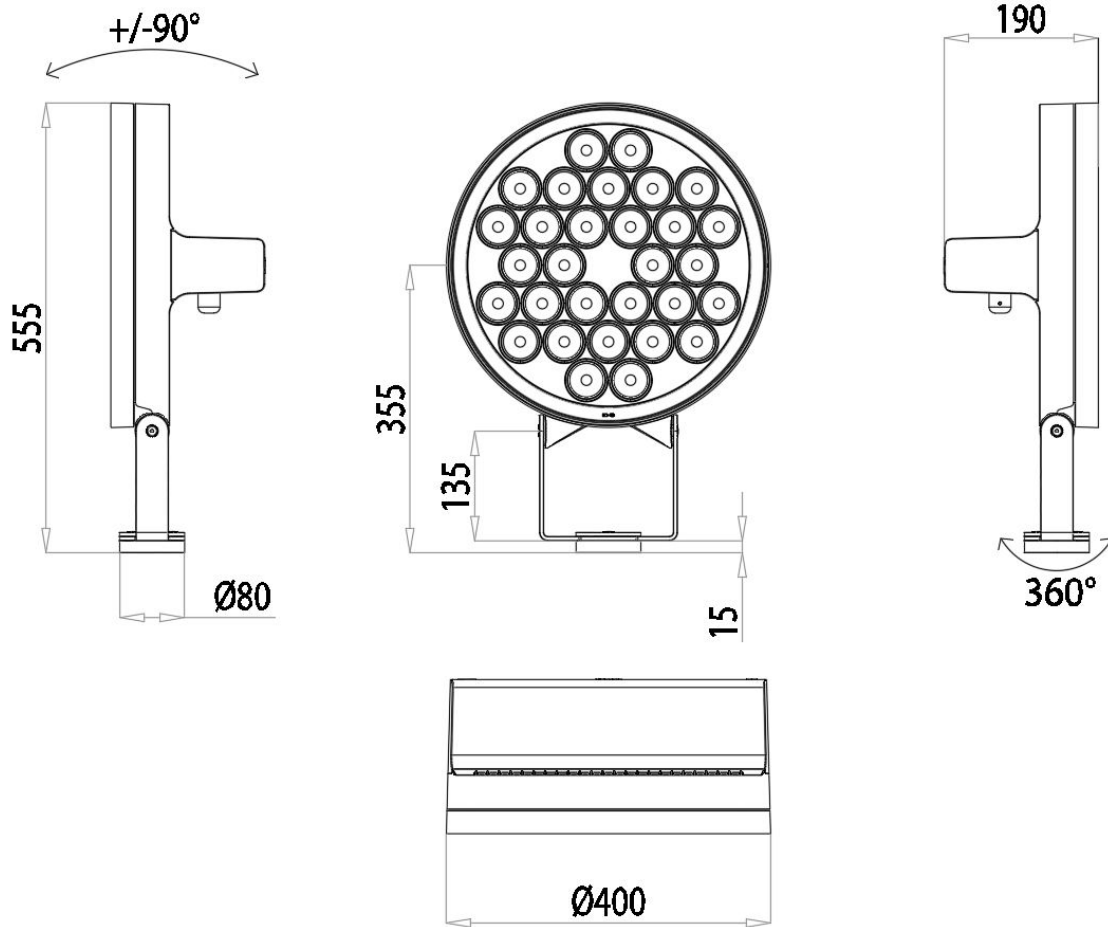
MATERIALS

Fixing	Powder-coated sheet steel.
Body	Die-cast aluminium UNI EN1706. Powder-coated.
Closure	Stainless steel screws.
Optic	PMMA
Screen	Flat tempered glass, 5mm thick, high transparency
Cable gland	Metallic IP68
Gasket	Moulded silicone
Colour	Standard: Graphite - Code 01 Optional: see below. (other colours on request)

ACCESSORIES

Glare shield	Inner Honeycomb Full outer cylindrical screen Cylindrical outer screen half
Optics carrier plate	Standard: Gold or Black

DIMENSIONAL DRAWINGS



STANDARD COLOURING



OPTIONAL COLOURS



LUMINAIRE	OPTIC	LED CURRENT (mA)	RATED LUMINAIRE FLUX* (Tq=25°C, 4000K, lm)	RATED LUMINAIRE POWER* (Tq=25°C, Vin=230Vac, F/DA/DAC, W)	LUMINAIRE EFFICACY (Tq=25°C, lm/W)	RATED LED FLUX* (Tj=85°C, 4000K, lm)	RATED LED POWER* (Tj=85°C, W)	Ta MAX (°C)
FALCO 4 3P3 8040.100-8M	EL-15-60	100	11540	87.5	131	13204	76.6	50
FALCO 4 3P3 8040.100-10M		100	14310	112	127	16506	95.7	50
FALCO 4 3P3 8040.120-8M		120	13610	105	129	15692	92.6	50
FALCO 4 3P3 8040.120-10M		120	16870	133	126	19615	116	35
FALCO 4 3P3 8040.140-8M		140	15590	123	126	18125	109	35
FALCO 4 3P3 8040.140-10M		140	19320	155	124	22657	136	35
FALCO 4 3P3 8040.180-8M		180	19330	161	120	22829	142	35
FALCO 4 3P3 8040.180-10M		180	23950	202	118	28537	177	35
FALCO 4 3P3 8040.100-8M	SP-M25	100	12000	87.5	137	13204	76.6	50
FALCO 4 3P3 8040.100-10M		100	14870	112	132	16506	95.7	50
FALCO 4 3P3 8040.120-8M		120	14150	105	134	15692	92.6	50
FALCO 4 3P3 8040.120-10M		120	17530	133	131	19615	116	35
FALCO 4 3P3 8040.140-8M		140	16210	123	131	18125	109	35
FALCO 4 3P3 8040.140-10M		140	20080	155	129	22657	136	35
FALCO 4 3P3 8040.180-8M		180	20100	161	124	22829	142	35
FALCO 4 3P3 8040.180-10M		180	24900	202	123	28537	177	35
FALCO 4 3P3 8040.100-8M	SP-S15	100	12600	87.5	144	13204	76.6	50
FALCO 4 3P3 8040.100-10M		100	15620	112	139	16506	95.7	50
FALCO 4 3P3 8040.120-8M		120	14860	105	141	15692	92.6	50
FALCO 4 3P3 8040.120-10M		120	18420	133	138	19615	116	35
FALCO 4 3P3 8040.140-8M		140	17030	123	138	18125	109	35
FALCO 4 3P3 8040.140-10M		140	21100	155	136	22657	136	35
FALCO 4 3P3 8040.180-8M		180	21120	161	131	22829	142	35
FALCO 4 3P3 8040.180-10M		180	26160	202	129	28537	177	35

LUMINAIRE	OPTIC	LED CURRENT (mA)	RATED LUMINAIRE FLUX* (Tq=25°C, 4000K, lm)	RATED LUMINAIRE POWER* (Tq=25°C, Vin=230Vac, F/DA/DAC, W)	LUMINAIRE EFFICACY (Tq=25°C, lm/W)	RATED LED FLUX* (Tj=85°C, 4000K, lm)	RATED LED POWER* (Tj=85°C, W)	Ta MAX (°C)
FALCO 4 3P3 8040.100-8M	SP-W40	100	12760	87.5	145	13204	76.6	50
FALCO 4 3P3 8040.100-10M		100	15810	112	141	16506	95.7	50
FALCO 4 3P3 8040.120-8M		120	15040	105	143	15692	92.6	50
FALCO 4 3P3 8040.120-10M		120	18640	133	140	19615	116	35
FALCO 4 3P3 8040.140-8M		140	17230	123	140	18125	109	35
FALCO 4 3P3 8040.140-10M		140	21350	155	137	22657	136	35
FALCO 4 3P3 8040.180-8M		180	21370	161	132	22829	142	35
FALCO 4 3P3 8040.180-10M		180	26470	202	131	28537	177	35
FALCO 4 3P3 8040.100-8M	SP-WW60	100	12300	87.5	140	13204	76.6	50
FALCO 4 3P3 8040.100-10M		100	15250	112	136	16506	95.7	50
FALCO 4 3P3 8040.120-8M		120	14500	105	138	15692	92.6	50
FALCO 4 3P3 8040.120-10M		120	17980	133	135	19615	116	35
FALCO 4 3P3 8040.140-8M		140	16620	123	135	18125	109	35
FALCO 4 3P3 8040.140-10M		140	20590	155	132	22657	136	35
FALCO 4 3P3 8040.180-8M		180	20610	161	128	22829	142	35
FALCO 4 3P3 8040.180-10M		180	25520	202	126	28537	177	35

*RATED LUMINAIRE FLUX / RATED LUMINAIRE POWER: Rated data obtained in laboratory.

*RATED LED FLUX / RATED LED POWER: Rated data extrapolated from LED manufacturer datasheet.

Values indicated in this technical sheet are to be considered rated values. Flux tolerance: $\pm 7\%$. Power tolerance: $\pm 7\%$.

Power tolerance with ZHAGA version or power supply D4i/SR: $\pm 10\%$.

The characteristics of the product listed above are subjected to change without notice.

LUMINAIRE	OPTIC	LED CURRENT (mA)	RATED LUMINAIRE FLUX* (Tq=25°C, 3000K, lm)	RATED LUMINAIRE POWER* (Tq=25°C, Vin=230Vac, F/DA/DAC, W)	LUMINAIRE EFFICACY (Tq=25°C, lm/W)	RATED LED FLUX* (Tj=85°C, 3000K, lm)	RATED LED POWER* (Tj=85°C, W)	Ta MAX (°C)
FALCO 4 3P3 8030.100-8M	EL-15-60	100	10850	87.5	124	12624	76.6	50
FALCO 4 3P3 8030.100-10M		100	13450	112	120	15780	95.7	50
FALCO 4 3P3 8030.120-8M		120	12790	105	121	15002	92.6	50
FALCO 4 3P3 8030.120-10M		120	15850	133	119	18753	116	35
FALCO 4 3P3 8030.140-8M		140	14650	123	119	17329	109	35
FALCO 4 3P3 8030.140-10M		140	18160	155	117	21661	136	35
FALCO 4 3P3 8030.180-8M		180	18170	161	112	21826	142	35
FALCO 4 3P3 8030.180-10M		180	22510	202	111	27282	177	35
FALCO 4 3P3 8030.100-8M	SP-M25	100	11280	87.5	128	12624	76.6	50
FALCO 4 3P3 8030.100-10M		100	13980	112	124	15780	95.7	50
FALCO 4 3P3 8030.120-8M		120	13300	105	126	15002	92.6	50
FALCO 4 3P3 8030.120-10M		120	16480	133	123	18753	116	35
FALCO 4 3P3 8030.140-8M		140	15240	123	123	17329	109	35
FALCO 4 3P3 8030.140-10M		140	18880	155	121	21661	136	35
FALCO 4 3P3 8030.180-8M		180	18900	161	117	21826	142	35
FALCO 4 3P3 8030.180-10M		180	23400	202	115	27282	177	35
FALCO 4 3P3 8030.100-8M	SP-S15	100	11840	87.5	135	12624	76.6	50
FALCO 4 3P3 8030.100-10M		100	14680	112	131	15780	95.7	50
FALCO 4 3P3 8030.120-8M		120	13970	105	133	15002	92.6	50
FALCO 4 3P3 8030.120-10M		120	17310	133	130	18753	116	35
FALCO 4 3P3 8030.140-8M		140	16010	123	130	17329	109	35
FALCO 4 3P3 8030.140-10M		140	19830	155	127	21661	136	35
FALCO 4 3P3 8030.180-8M		180	19860	161	123	21826	142	35
FALCO 4 3P3 8030.180-10M		180	24590	202	121	27282	177	35

LUMINAIRE	OPTIC	LED CURRENT (mA)	RATED LUMINAIRE FLUX* (Tq=25°C, 3000K, lm)	RATED LUMINAIRE POWER* (Tq=25°C, Vin=230Vac, F/DA/DAC, W)	LUMINAIRE EFFICACY (Tq=25°C, lm/W)	RATED LED FLUX* (Tj=85°C, 3000K, lm)	RATED LED POWER* (Tj=85°C, W)	Ta MAX (°C)
FALKO 4 3P3 8030.100-8M	SP-W40	100	11990	87.5	137	12624	76.6	50
FALKO 4 3P3 8030.100-10M		100	14860	112	132	15780	95.7	50
FALKO 4 3P3 8030.120-8M		120	14140	105	134	15002	92.6	50
FALKO 4 3P3 8030.120-10M		120	17520	133	131	18753	116	35
FALKO 4 3P3 8030.140-8M		140	16200	123	131	17329	109	35
FALKO 4 3P3 8030.140-10M		140	20070	155	129	21661	136	35
FALKO 4 3P3 8030.180-8M		180	20090	161	124	21826	142	35
FALKO 4 3P3 8030.180-10M		180	24880	202	123	27282	177	35
FALKO 4 3P3 8030.100-8M	SP-WW60	100	11560	87.5	132	12624	76.6	50
FALKO 4 3P3 8030.100-10M		100	14340	112	128	15780	95.7	50
FALKO 4 3P3 8030.120-8M		120	13630	105	129	15002	92.6	50
FALKO 4 3P3 8030.120-10M		120	16900	133	127	18753	116	35
FALKO 4 3P3 8030.140-8M		140	15620	123	126	17329	109	35
FALKO 4 3P3 8030.140-10M		140	19350	155	124	21661	136	35
FALKO 4 3P3 8030.180-8M		180	19370	161	120	21826	142	35
FALKO 4 3P3 8030.180-10M		180	23990	202	118	27282	177	35

*RATED LUMINAIRE FLUX / RATED LUMINAIRE POWER: Rated data obtained in laboratory.

*RATED LED FLUX / RATED LED POWER: Rated data extrapolated from LED manufacturer datasheet.

Values indicated in this technical sheet are to be considered rated values. Flux tolerance: $\pm 7\%$. Power tolerance: $\pm 7\%$.

Power tolerance with ZHAGA version or power supply D4i/SR: $\pm 10\%$.

The characteristics of the product listed above are subjected to change without notice.

LUMINAIRE	OPTIC	LED CURRENT (mA)	RATED LUMINAIRE FLUX* (Tq=25°C, 2700K, lm)	RATED LUMINAIRE POWER* (Tq=25°C, Vin=230Vac, F/DA/DAC, W)	LUMINAIRE EFFICACY (Tq=25°C, lm/W)	RATED LED FLUX* (Tj=85°C, 2700K, lm)	RATED LED POWER* (Tj=85°C, W)	Ta MAX (°C)
FALCO 4 3P3 8027.100-8M	EL-15-60	100	9460	87.5	108	11899	76.6	50
FALCO 4 3P3 8027.100-10M		100	11730	112	104	14873	95.7	50
FALCO 4 3P3 8027.120-8M		120	11160	105	106	14140	92.6	50
FALCO 4 3P3 8027.120-10M		120	13830	133	103	17675	116	35
FALCO 4 3P3 8027.140-8M		140	12780	123	103	16333	109	35
FALCO 4 3P3 8027.140-10M		140	15840	155	102	20416	136	35
FALCO 4 3P3 8027.180-8M		180	15850	161	98	20572	142	35
FALCO 4 3P3 8027.180-10M		180	19640	202	97	25715	177	35
FALCO 4 3P3 8027.100-8M	SP-M25	100	9840	87.5	112	11899	76.6	50
FALCO 4 3P3 8027.100-10M		100	12190	112	108	14873	95.7	50
FALCO 4 3P3 8027.120-8M		120	11600	105	110	14140	92.6	50
FALCO 4 3P3 8027.120-10M		120	14370	133	108	17675	116	35
FALCO 4 3P3 8027.140-8M		140	13290	123	108	16333	109	35
FALCO 4 3P3 8027.140-10M		140	16470	155	106	20416	136	35
FALCO 4 3P3 8027.180-8M		180	16480	161	102	20572	142	35
FALCO 4 3P3 8027.180-10M		180	20420	202	101	25715	177	35
FALCO 4 3P3 8027.100-8M	SP-S15	100	10330	87.5	118	11899	76.6	50
FALCO 4 3P3 8027.100-10M		100	12810	112	114	14873	95.7	50
FALCO 4 3P3 8027.120-8M		120	12190	105	116	14140	92.6	50
FALCO 4 3P3 8027.120-10M		120	15100	133	113	17675	116	35
FALCO 4 3P3 8027.140-8M		140	13960	123	113	16333	109	35
FALCO 4 3P3 8027.140-10M		140	17300	155	111	20416	136	35
FALCO 4 3P3 8027.180-8M		180	17320	161	107	20572	142	35
FALCO 4 3P3 8027.180-10M		180	21450	202	106	25715	177	35

LUMINAIRE	OPTIC	LED CURRENT (mA)	RATED LUMINAIRE FLUX* (Tq=25°C, 2700K, lm)	RATED LUMINAIRE POWER* (Tq=25°C, Vin=230Vac, F/DA/DAC, W)	LUMINAIRE EFFICACY (Tq=25°C, lm/W)	RATED LED FLUX* (Tj=85°C, 2700K, lm)	RATED LED POWER* (Tj=85°C, W)	Ta MAX (°C)
FALCO 4 3P3 8027.100-8M	SP-W40	100	10460	87.5	119	11899	76.6	50
FALCO 4 3P3 8027.100-10M		100	12960	112	115	14873	95.7	50
FALCO 4 3P3 8027.120-8M		120	12330	105	117	14140	92.6	50
FALCO 4 3P3 8027.120-10M		120	15280	133	114	17675	116	35
FALCO 4 3P3 8027.140-8M		140	14130	123	114	16333	109	35
FALCO 4 3P3 8027.140-10M		140	17510	155	112	20416	136	35
FALCO 4 3P3 8027.180-8M		180	17520	161	108	20572	142	35
FALCO 4 3P3 8027.180-10M		180	21710	202	107	25715	177	35
FALCO 4 3P3 8027.100-8M	SP-WW60	100	10090	87.5	115	11899	76.6	50
FALCO 4 3P3 8027.100-10M		100	12510	112	111	14873	95.7	50
FALCO 4 3P3 8027.120-8M		120	11890	105	113	14140	92.6	50
FALCO 4 3P3 8027.120-10M		120	14740	133	110	17675	116	35
FALCO 4 3P3 8027.140-8M		140	13630	123	110	16333	109	35
FALCO 4 3P3 8027.140-10M		140	16880	155	108	20416	136	35
FALCO 4 3P3 8027.180-8M		180	16900	161	104	20572	142	35
FALCO 4 3P3 8027.180-10M		180	20930	202	103	25715	177	35

*RATED LUMINAIRE FLUX / RATED LUMINAIRE POWER: Rated data obtained in laboratory.

*RATED LED FLUX / RATED LED POWER: Rated data extrapolated from LED manufacturer datasheet.

Values indicated in this technical sheet are to be considered rated values. Flux tolerance: $\pm 7\%$. Power tolerance: $\pm 7\%$.

Power tolerance with ZHAGA version or power supply D4i/SR: $\pm 10\%$.

The characteristics of the product listed above are subjected to change without notice.

LUMINAIRE	OPTIC	LED CURRENT (mA)	RATED LUMINAIRE FLUX* (Tq=25°C, 2200K, lm)	RATED LUMINAIRE POWER* (Tq=25°C, Vin=230Vac, F/DA/DAC, W)	LUMINAIRE EFFICACY (Tq=25°C, lm/W)	RATED LED FLUX* (Tj=85°C, 2200K, lm)	RATED LED POWER* (Tj=85°C, W)	Ta MAX (°C)
FALCO 4 3P3 8022.100-8M	EL-15-60	100	8540	87.5	97	10738	76.6	50
FALCO 4 3P3 8022.100-10M		100	10590	112	94	13422	95.7	50
FALCO 4 3P3 8022.120-8M		120	10070	105	95	12761	92.6	50
FALCO 4 3P3 8022.120-10M		120	12480	133	93	15951	116	35
FALCO 4 3P3 8022.140-8M		140	11540	123	93	14739	109	35
FALCO 4 3P3 8022.140-10M		140	14300	155	92	18424	136	35
FALCO 4 3P3 8022.180-8M		180	14310	161	88	18565	142	35
FALCO 4 3P3 8022.180-10M		180	17720	202	87	23206	177	35
FALCO 4 3P3 8022.100-8M	SP-M25	100	8880	87.5	101	10738	76.6	50
FALCO 4 3P3 8022.100-10M		100	11000	112	98	13422	95.7	50
FALCO 4 3P3 8022.120-8M		120	10470	105	99	12761	92.6	50
FALCO 4 3P3 8022.120-10M		120	12970	133	97	15951	116	35
FALCO 4 3P3 8022.140-8M		140	12000	123	97	14739	109	35
FALCO 4 3P3 8022.140-10M		140	14860	155	95	18424	136	35
FALCO 4 3P3 8022.180-8M		180	14880	161	92	18565	142	35
FALCO 4 3P3 8022.180-10M		180	18420	202	91	23206	177	35
FALCO 4 3P3 8022.100-8M	SP-S15	100	9320	87.5	106	10738	76.6	50
FALCO 4 3P3 8022.100-10M		100	11560	112	103	13422	95.7	50
FALCO 4 3P3 8022.120-8M		120	11000	105	104	12761	92.6	50
FALCO 4 3P3 8022.120-10M		120	13630	133	102	15951	116	35
FALCO 4 3P3 8022.140-8M		140	12600	123	102	14739	109	35
FALCO 4 3P3 8022.140-10M		140	15610	155	100	18424	136	35
FALCO 4 3P3 8022.180-8M		180	15630	161	97	18565	142	35
FALCO 4 3P3 8022.180-10M		180	19360	202	95	23206	177	35

LUMINAIRE	OPTIC	LED CURRENT (mA)	RATED LUMINAIRE FLUX* (Tq=25°C, 2200K, lm)	RATED LUMINAIRE POWER* (Tq=25°C, Vin=230Vac, F/DA/DAC, W)	LUMINAIRE EFFICACY (Tq=25°C, lm/W)	RATED LED FLUX* (Tj=85°C, 2200K, lm)	RATED LED POWER* (Tj=85°C, W)	Ta MAX (°C)
FALCO 4 3P3 8022.100-8M	SP-W40	100	9440	87.5	107	10738	76.6	50
FALCO 4 3P3 8022.100-10M		100	11700	112	104	13422	95.7	50
FALCO 4 3P3 8022.120-8M		120	11130	105	106	12761	92.6	50
FALCO 4 3P3 8022.120-10M		120	13790	133	103	15951	116	35
FALCO 4 3P3 8022.140-8M		140	12750	123	103	14739	109	35
FALCO 4 3P3 8022.140-10M		140	15800	155	101	18424	136	35
FALCO 4 3P3 8022.180-8M		180	15810	161	98	18565	142	35
FALCO 4 3P3 8022.180-10M		180	19590	202	96	23206	177	35
FALCO 4 3P3 8022.100-8M	SP-WW60	100	9100	87.5	104	10738	76.6	50
FALCO 4 3P3 8022.100-10M		100	11290	112	100	13422	95.7	50
FALCO 4 3P3 8022.120-8M		120	10730	105	102	12761	92.6	50
FALCO 4 3P3 8022.120-10M		120	13300	133	100	15951	116	35
FALCO 4 3P3 8022.140-8M		140	12300	123	100	14739	109	35
FALCO 4 3P3 8022.140-10M		140	15240	155	98	18424	136	35
FALCO 4 3P3 8022.180-8M		180	15250	161	94	18565	142	35
FALCO 4 3P3 8022.180-10M		180	18890	202	93	23206	177	35

*RATED LUMINAIRE FLUX / RATED LUMINAIRE POWER: Rated data obtained in laboratory.

*RATED LED FLUX / RATED LED POWER: Rated data extrapolated from LED manufacturer datasheet.

Values indicated in this technical sheet are to be considered rated values. Flux tolerance: ±7%. Power tolerance: ±7%.

Power tolerance with ZHAGA version or power supply D4i/SR: ±10%.

The characteristics of the product listed above are subjected to change without notice.