

# FALKO

## FALKO 3

### MAIN CHARACTERISTICS

|                                 |  |
|---------------------------------|--|
| <b>Applications</b>             | Urban and architectural lighting.  |
| <b>Optic</b>                    | SSP-S15: Symmetrical optic for narrow-beam architectural lighting.<br>SP-M25: Symmetrical Optic for medium-beam architectural lighting.<br>SP-W40: Symmetrical Optic for wide-beam architectural lighting.<br>SP-WW60: Symmetrical Optic for architectural wide-beam lighting.<br>EL-15-60: Symmetrical optic for elliptical beam architectural lighting.<br>Colour temperature: 4000K, 3000K, 2700K, 2200K (others in option)   CRI ≥80<br>Photobiological safety class: EXEMPT GROUP<br>LED source efficiency: 185 lm/W @ 140mA, T <sub>j</sub> =85°C, 4000K |
| <b>Insulation class</b>         | II, I  |
| <b>Protection degree</b>        | IP66/IP67   IK09   |
| <b>Dimensions</b>               | See Drawing  |
| <b>Weight</b>                   | max 9 kg   |
| <b>Exposed surface</b>          | Side: 0.041m <sup>2</sup> – Top: 0.09m <sup>2</sup>  |
| <b>Mounting</b>                 | Integrated bracket for Ø76 - Ø102 - Ø127 pole installation.<br>Integrated bracket for wall installation.   |
| <b>Tilt Angle</b>               | ±90°   |
| <b>LED Modules</b>              | Removable / Replaceable  |
| <b>Gear tray</b>                | Removable / Replaceable  |
| <b>Operating temp.</b>          | -40°C / +50°C  |
| <b>Storage temperature</b>      | -40°C / +80°C  |
| <b>Main reference standards</b> | EN 60598-1, EN 60598-2-5, EN 62471,<br>EN 55015, EN 61547, EN 61000-3-2, EN 61000-3-3  |



### ELECTRICAL CHARACTERISTICS

|   |   |
|---|---|
| <b>Rated voltage</b>                              | 220÷240V 50/60Hz (Standard tolerance ±10%. Other voltages and tolerances on request)  |
| <b>Power factor</b>                               | >0.9 (at full load, F, DA, DAC)   |
| <b>Mains connection</b>                           | Cable H07RN-F nx1mm <sup>2</sup><br>Optional: connector M/F IP66/68 for cables max. 2.5mm <sup>2</sup> , Ø max. 12mm  |
| <b>Surge protection</b>                           | Up to 12kV<br>With SPD: CL.II: 10kV / 10kV CM/DM   CL.I: 12kV / 10kV CM/DM<br>Without SPD: CL.II: 10kV / 6kV CM/DM   CL.I: 10kV / 6kV CM/DM   |
| <b>SPD (optional)</b>                             | 12kV-10kA, type 2+3, with LED signal and thermo fuse to disconnect load at the end of life.   |
| <b>Control system (options)</b>                   | F: Fixed power not dimmable.<br>DA: Automatic dimming (virtual midnight) with default profile.<br>DAC: Custom DA profile.<br>FLC: Constant light flux.<br>DALI: Digital dimming interface DALI. |
| <b>Optical unit lifetime (T<sub>q</sub>=25°C)</b> | >100.000hr L90B10<br>>100.000hr L90, TM-21  |

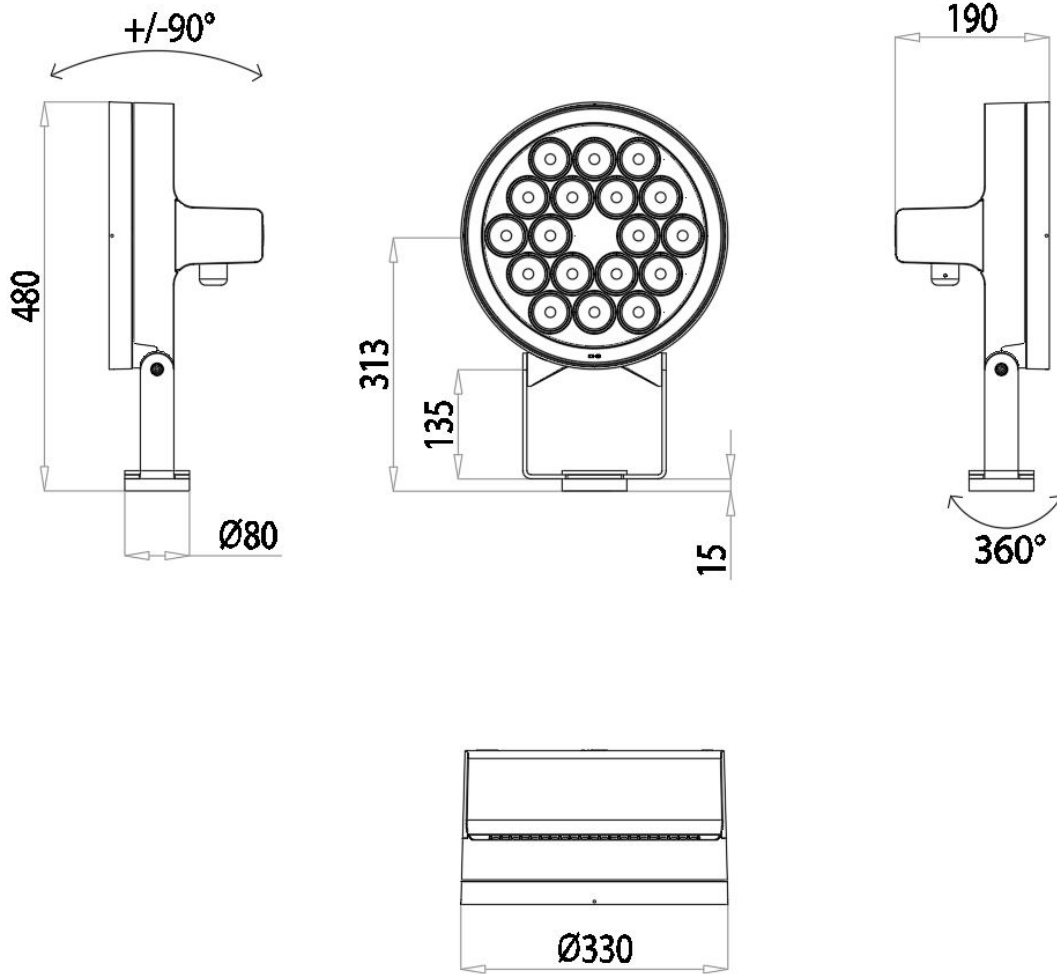
### MATERIALS

|                    |   |
|--------------------|---|
| <b>Fixing</b>      | Powder-coated sheet steel.  |
| <b>Body</b>        | Die-cast aluminium UNI EN1706. Powder-coated.                                   |
| <b>Closure</b>     | Stainless steel screws.   |
| <b>Optic</b>       | PMMA  |
| <b>Screen</b>      | Flat tempered glass, 5mm thick, high transparency                               |
| <b>Cable gland</b> | Metallic IP68   |
| <b>Gasket</b>      | Moulded silicone  |
| <b>Colour</b>      | Standard: Graphite - Code 01<br>Optional: see below. (other colours on request) |

### ACCESSORIES

|                             |   |
|-----------------------------|---|
| <b>Glare shield</b>         | Inner Honeycomb<br>Full outer cylindrical screen<br>Cylindrical outer screen half |
| <b>Optics carrier plate</b> | Standard: Gold or Black   |

**DIMENSIONAL DRAWINGS**



**STANDARD COLOURING**



**OPTIONAL COLOURS**



| LUMINAIRE               | OPTIC    | LED CURRENT (mA) | RATED LUMINAIRE FLUX* (Tq=25°C, 4000K, lm) | RATED LUMINAIRE POWER* (Tq=25°C, Vin=230Vac, F/DA/DAC, W) | LUMINAIRE EFFICACY (Tq=25°C, lm/W) | RATED LED FLUX* (Tj=85°C, 4000K, lm) | RATED LED POWER* (Tj=85°C, W) | Ta MAX (°C) |
|-------------------------|----------|------------------|--|---|------------------------------------|--------------------------------------|-------------------------------|-------------|
| FALCO 3 3P3 8040.070-4M | EL-15-60 | 70               | 3780                                       | 31.8  | 118                                | 4686                                 | 26.5                          | 50          |
| FALCO 3 3P3 8040.100-4M |          | 100              | 5270                                       | 44.8  | 117                                | 6602                                 | 38.3                          | 50          |
| FALCO 3 3P3 8040.100-6M |          | 100              | 7840                                       | 66.2  | 118                                | 9903                                 | 57.4                          | 50          |
| FALCO 3 3P3 8040.120-4M |          | 120              | 6210                                       | 53.8  | 115                                | 7846                                 | 46.3                          | 50          |
| FALCO 3 3P3 8040.120-6M |          | 120              | 9240                                       | 79.1  | 116                                | 11769                                | 69.5                          | 50          |
| FALCO 3 3P3 8040.140-4M |          | 140              | 7120                                       | 63  | 113                                | 9063                                 | 54.4                          | 50          |
| FALCO 3 3P3 8040.140-6M |          | 140              | 10580                                      | 92.2  | 114                                | 13594                                | 81.6                          | 35          |
| FALCO 3 3P3 8040.180-4M |          | 180              | 8830                                       | 81.6  | 108                                | 11415                                | 70.9                          | 35          |
| FALCO 3 3P3 8040.180-6M |          | 180              | 13130                                      | 119   | 110                                | 17122                                | 106                           | 35          |
| FALCO 3 3P3 8040.070-4M | SP-M25   | 70               | 3930                                       | 31.8  | 123                                | 4686                                 | 26.5                          | 50          |
| FALCO 3 3P3 8040.100-4M |          | 100              | 5480                                       | 44.8  | 122                                | 6602                                 | 38.3                          | 50          |
| FALCO 3 3P3 8040.100-6M |          | 100              | 8140                                       | 66.2  | 122                                | 9903                                 | 57.4                          | 50          |
| FALCO 3 3P3 8040.120-4M |          | 120              | 6460                                       | 53.8  | 120                                | 7846                                 | 46.3                          | 50          |
| FALCO 3 3P3 8040.120-6M |          | 120              | 9600                                       | 79.1  | 121                                | 11769                                | 69.5                          | 50          |
| FALCO 3 3P3 8040.140-4M |          | 140              | 7400                                       | 63  | 117                                | 9063                                 | 54.4                          | 50          |
| FALCO 3 3P3 8040.140-6M |          | 140              | 11000                                      | 92.2  | 119                                | 13594                                | 81.6                          | 35          |
| FALCO 3 3P3 8040.180-4M |          | 180              | 9180                                       | 81.6  | 112                                | 11415                                | 70.9                          | 35          |
| FALCO 3 3P3 8040.180-6M |          | 180              | 13650                                      | 119   | 114                                | 17122                                | 106                           | 35          |
| FALCO 3 3P3 8040.070-4M | SP-S15   | 70               | 4120                                       | 31.8  | 129                                | 4686                                 | 26.5                          | 50          |
| FALCO 3 3P3 8040.100-4M |          | 100              | 5750                                       | 44.8  | 128                                | 6602                                 | 38.3                          | 50          |
| FALCO 3 3P3 8040.100-6M |          | 100              | 8560                                       | 66.2  | 129                                | 9903                                 | 57.4                          | 50          |
| FALCO 3 3P3 8040.120-4M |          | 120              | 6780                                       | 53.8  | 126                                | 7846                                 | 46.3                          | 50          |
| FALCO 3 3P3 8040.120-6M |          | 120              | 10090                                      | 79.1  | 127                                | 11769                                | 69.5                          | 50          |
| FALCO 3 3P3 8040.140-4M |          | 140              | 7770                                       | 63  | 123                                | 9063                                 | 54.4                          | 50          |
| FALCO 3 3P3 8040.140-6M |          | 140              | 11570                                      | 92.2  | 125                                | 13594                                | 81.6                          | 35          |
| FALCO 3 3P3 8040.180-4M |          | 180              | 9640                                       | 81.6  | 118                                | 11415                                | 70.9                          | 35          |
| FALCO 3 3P3 8040.180-6M |          | 180              | 14340                                      | 119   | 120                                | 17122                                | 106                           | 35          |

| LUMINAIRE               | OPTIC  | LED CURRENT (mA) | RATED LUMINAIRE FLUX* (Tq=25°C, 4000K, lm) | RATED LUMINAIRE POWER* (Tq=25°C, Vin=230Vac, F/DA/DAC, W) | LUMINAIRE EFFICACY (Tq=25°C, lm/W) | RATED LED FLUX* (Tj=85°C, 4000K, lm) | RATED LED POWER* (Tj=85°C, W) | Ta MAX (°C) |
|-------------------------|--------|------------------|--|---|------------------------------------|--------------------------------------|-------------------------------|-------------|
| FALCO 3 3P3 8040.070-4M | SP-W40 | 70               | 4170                                       | 31.8  | 131                                | 4686                                 | 26.5                          | 50          |
| FALCO 3 3P3 8040.100-4M |        | 100              | 5820                                       | 44.8  | 129                                | 6602                                 | 38.3                          | 50          |
| FALCO 3 3P3 8040.100-6M |        | 100              | 8660                                       | 66.2  | 130                                | 9903                                 | 57.4                          | 50          |
| FALCO 3 3P3 8040.120-4M |        | 120              | 6870                                       | 53.8  | 127                                | 7846                                 | 46.3                          | 50          |
| FALCO 3 3P3 8040.120-6M |        | 120              | 10210                                      | 79.1  | 129                                | 11769                                | 69.5                          | 50          |
| FALCO 3 3P3 8040.140-4M |        | 140              | 7870                                       | 63  | 124                                | 9063                                 | 54.4                          | 50          |
| FALCO 3 3P3 8040.140-6M |        | 140              | 11700                                      | 92.2  | 126                                | 13594                                | 81.6                          | 35          |
| FALCO 3 3P3 8040.180-4M |        | 180              | 9760                                       | 81.6  | 119                                | 11415                                | 70.9                          | 35          |
| FALCO 3 3P3 8040.180-6M |        | 180              | 14510                                      | 119   | 121                                | 17122                                | 106                           | 35          |
| FALCO 3 3P3 8040.070-4M |        | SP-WW60          | 70   | 4020  | 31.8                               | 126                                  | 4686                          | 26.5        |
| FALCO 3 3P3 8040.100-4M | 100    |                  | 5610                                       | 44.8  | 125                                | 6602                                 | 38.3                          | 50          |
| FALCO 3 3P3 8040.100-6M | 100    |                  | 8350                                       | 66.2  | 126                                | 9903                                 | 57.4                          | 50          |
| FALCO 3 3P3 8040.120-4M | 120    |                  | 6620                                       | 53.8  | 123                                | 7846                                 | 46.3                          | 50          |
| FALCO 3 3P3 8040.120-6M | 120    |                  | 9850                                       | 79.1  | 124                                | 11769                                | 69.5                          | 50          |
| FALCO 3 3P3 8040.140-4M | 140    |                  | 7590                                       | 63  | 120                                | 9063                                 | 54.4                          | 50          |
| FALCO 3 3P3 8040.140-6M | 140    |                  | 11280                                      | 92.2  | 122                                | 13594                                | 81.6                          | 35          |
| FALCO 3 3P3 8040.180-4M | 180    |                  | 9410                                       | 81.6  | 115                                | 11415                                | 70.9                          | 35          |
| FALCO 3 3P3 8040.180-6M | 180    |                  | 13990                                      | 119   | 117                                | 17122                                | 106                           | 35          |

\*RATED LUMINAIRE FLUX / RATED LUMINAIRE POWER: Rated data obtained in laboratory.

\*RATED LED FLUX / RATED LED POWER: Rated data extrapolated from LED manufacturer datasheet.

Values indicated in this technical sheet are to be considered rated values. Flux tolerance: ±7%. Power tolerance: ±7%.

Power tolerance with ZHAGA version or power supply D4i/SR: ±10%.

The characteristics of the product listed above are subjected to change without notice.

| LUMINAIRE               | OPTIC    | LED CURRENT (mA) | RATED LUMINAIRE FLUX* (Tq=25°C, 3000K, lm) | RATED LUMINAIRE POWER* (Tq=25°C, Vin=230Vac, F/DA/DAC, W) | LUMINAIRE EFFICACY (Tq=25°C, lm/W) | RATED LED FLUX* (Tj=85°C, 3000K, lm) | RATED LED POWER* (Tj=85°C, W) | Ta MAX (°C) |
|-------------------------|----------|------------------|--|---|------------------------------------|--------------------------------------|-------------------------------|-------------|
| FALCO 3 3P3 8030.070-4M | EL-15-60 | 70               | 3610                                       | 31.8  | 113                                | 4480                                 | 26.5                          | 50          |
| FALCO 3 3P3 8030.100-4M |          | 100              | 5040                                       | 44.8  | 112                                | 6312                                 | 38.3                          | 50          |
| FALCO 3 3P3 8030.100-6M |          | 100              | 7490                                       | 66.2  | 113                                | 9468                                 | 57.4                          | 50          |
| FALCO 3 3P3 8030.120-4M |          | 120              | 5940                                       | 53.8  | 110                                | 7501                                 | 46.3                          | 50          |
| FALCO 3 3P3 8030.120-6M |          | 120              | 8830                                       | 79.1  | 111                                | 11252                                | 69.5                          | 50          |
| FALCO 3 3P3 8030.140-4M |          | 140              | 6800                                       | 63  | 107                                | 8664                                 | 54.4                          | 50          |
| FALCO 3 3P3 8030.140-6M |          | 140              | 10120                                      | 92.2  | 109                                | 12996                                | 81.6                          | 35          |
| FALCO 3 3P3 8030.180-4M |          | 180              | 8440                                       | 81.6  | 103                                | 10913                                | 70.9                          | 35          |
| FALCO 3 3P3 8030.180-6M |          | 180              | 12550                                      | 119   | 105                                | 16369                                | 106                           | 35          |
| FALCO 3 3P3 8030.070-4M | SP-M25   | 70               | 3750                                       | 31.8  | 117                                | 4480                                 | 26.5                          | 50          |
| FALCO 3 3P3 8030.100-4M |          | 100              | 5240                                       | 44.8  | 116                                | 6312                                 | 38.3                          | 50          |
| FALCO 3 3P3 8030.100-6M |          | 100              | 7790                                       | 66.2  | 117                                | 9468                                 | 57.4                          | 50          |
| FALCO 3 3P3 8030.120-4M |          | 120              | 6170                                       | 53.8  | 114                                | 7501                                 | 46.3                          | 50          |
| FALCO 3 3P3 8030.120-6M |          | 120              | 9180                                       | 79.1  | 116                                | 11252                                | 69.5                          | 50          |
| FALCO 3 3P3 8030.140-4M |          | 140              | 7070                                       | 63  | 112                                | 8664                                 | 54.4                          | 50          |
| FALCO 3 3P3 8030.140-6M |          | 140              | 10520                                      | 92.2  | 114                                | 12996                                | 81.6                          | 35          |
| FALCO 3 3P3 8030.180-4M |          | 180              | 8770                                       | 81.6  | 107                                | 10913                                | 70.9                          | 35          |
| FALCO 3 3P3 8030.180-6M |          | 180              | 13050                                      | 119   | 109                                | 16369                                | 106                           | 35          |
| FALCO 3 3P3 8030.070-4M | SP-S15   | 70               | 3940                                       | 31.8  | 123                                | 4480                                 | 26.5                          | 50          |
| FALCO 3 3P3 8030.100-4M |          | 100              | 5500                                       | 44.8  | 122                                | 6312                                 | 38.3                          | 50          |
| FALCO 3 3P3 8030.100-6M |          | 100              | 8190                                       | 66.2  | 123                                | 9468                                 | 57.4                          | 50          |
| FALCO 3 3P3 8030.120-4M |          | 120              | 6480                                       | 53.8  | 120                                | 7501                                 | 46.3                          | 50          |
| FALCO 3 3P3 8030.120-6M |          | 120              | 9650                                       | 79.1  | 121                                | 11252                                | 69.5                          | 50          |
| FALCO 3 3P3 8030.140-4M |          | 140              | 7430                                       | 63  | 117                                | 8664                                 | 54.4                          | 50          |
| FALCO 3 3P3 8030.140-6M |          | 140              | 11060                                      | 92.2  | 119                                | 12996                                | 81.6                          | 35          |
| FALCO 3 3P3 8030.180-4M |          | 180              | 9220                                       | 81.6  | 112                                | 10913                                | 70.9                          | 35          |
| FALCO 3 3P3 8030.180-6M |          | 180              | 13710                                      | 119   | 115                                | 16369                                | 106                           | 35          |

| LUMINAIRE               | OPTIC   | LED CURRENT (mA) | RATED LUMINAIRE FLUX* (Tq=25°C, 3000K, lm) | RATED LUMINAIRE POWER* (Tq=25°C, Vin=230Vac, F/DA/DAC, W) | LUMINAIRE EFFICACY (Tq=25°C, lm/W) | RATED LED FLUX* (Tj=85°C, 3000K, lm) | RATED LED POWER* (Tj=85°C, W) | Ta MAX (°C) |
|-------------------------|---------|------------------|--|---|------------------------------------|--------------------------------------|-------------------------------|-------------|
| FALCO 3 3P3 8030.070-4M | SP-W40  | 70               | 3990                                       | 31.8  | 125                                | 4480                                 | 26.5                          | 50          |
| FALCO 3 3P3 8030.100-4M |         | 100              | 5570                                       | 44.8  | 124                                | 6312                                 | 38.3                          | 50          |
| FALCO 3 3P3 8030.100-6M |         | 100              | 8280                                       | 66.2  | 125                                | 9468                                 | 57.4                          | 50          |
| FALCO 3 3P3 8030.120-4M |         | 120              | 6570                                       | 53.8  | 122                                | 7501                                 | 46.3                          | 50          |
| FALCO 3 3P3 8030.120-6M |         | 120              | 9760                                       | 79.1  | 123                                | 11252                                | 69.5                          | 50          |
| FALCO 3 3P3 8030.140-4M |         | 140              | 7530                                       | 63  | 119                                | 8664                                 | 54.4                          | 50          |
| FALCO 3 3P3 8030.140-6M |         | 140              | 11190                                      | 92.2  | 121                                | 12996                                | 81.6                          | 35          |
| FALCO 3 3P3 8030.180-4M |         | 180              | 9330                                       | 81.6  | 114                                | 10913                                | 70.9                          | 35          |
| FALCO 3 3P3 8030.180-6M |         | 180              | 13870                                      | 119   | 116                                | 16369                                | 106                           | 35          |
| FALCO 3 3P3 8030.070-4M | SP-WW60 | 70               | 3840                                       | 31.8  | 120                                | 4480                                 | 26.5                          | 50          |
| FALCO 3 3P3 8030.100-4M |         | 100              | 5370                                       | 44.8  | 119                                | 6312                                 | 38.3                          | 50          |
| FALCO 3 3P3 8030.100-6M |         | 100              | 7990                                       | 66.2  | 120                                | 9468                                 | 57.4                          | 50          |
| FALCO 3 3P3 8030.120-4M |         | 120              | 6330                                       | 53.8  | 117                                | 7501                                 | 46.3                          | 50          |
| FALCO 3 3P3 8030.120-6M |         | 120              | 9420                                       | 79.1  | 119                                | 11252                                | 69.5                          | 50          |
| FALCO 3 3P3 8030.140-4M |         | 140              | 7260                                       | 63  | 115                                | 8664                                 | 54.4                          | 50          |
| FALCO 3 3P3 8030.140-6M |         | 140              | 10790                                      | 92.2  | 117                                | 12996                                | 81.6                          | 35          |
| FALCO 3 3P3 8030.180-4M |         | 180              | 9000                                       | 81.6  | 110                                | 10913                                | 70.9                          | 35          |
| FALCO 3 3P3 8030.180-6M |         | 180              | 13380                                      | 119   | 112                                | 16369                                | 106                           | 35          |

\*RATED LUMINAIRE FLUX / RATED LUMINAIRE POWER: Rated data obtained in laboratory.

\*RATED LED FLUX / RATED LED POWER: Rated data extrapolated from LED manufacturer datasheet.

Values indicated in this technical sheet are to be considered rated values. Flux tolerance: ±7%. Power tolerance: ±7%.

Power tolerance with ZHAGA version or power supply D4i/SR: ±10%.

The characteristics of the product listed above are subjected to change without notice.

| LUMINAIRE               | OPTIC    | LED CURRENT (mA) | RATED LUMINAIRE FLUX* (Tq=25°C, 2700K, lm) | RATED LUMINAIRE POWER* (Tq=25°C, Vin=230Vac, F/DA/DAC, W) | LUMINAIRE EFFICACY (Tq=25°C, lm/W) | RATED LED FLUX* (Tj=85°C, 2700K, lm) | RATED LED POWER* (Tj=85°C, W) | Ta MAX (°C) |
|-------------------------|----------|------------------|--|---|------------------------------------|--------------------------------------|-------------------------------|-------------|
| FALCO 3 3P3 8027.070-4M | EL-15-60 | 70               | 3400                                       | 31.8  | 106                                | 4222                                 | 26.5                          | 50          |
| FALCO 3 3P3 8027.100-4M |          | 100              | 4750                                       | 44.8  | 106                                | 5949                                 | 38.3                          | 50          |
| FALCO 3 3P3 8027.100-6M |          | 100              | 7060                                       | 66.2  | 106                                | 8924                                 | 57.4                          | 50          |
| FALCO 3 3P3 8027.120-4M |          | 120              | 5600                                       | 53.8  | 104                                | 7070                                 | 46.3                          | 50          |
| FALCO 3 3P3 8027.120-6M |          | 120              | 8320                                       | 79.1  | 105                                | 10605                                | 69.5                          | 50          |
| FALCO 3 3P3 8027.140-4M |          | 140              | 6410                                       | 63  | 101                                | 8166                                 | 54.4                          | 50          |
| FALCO 3 3P3 8027.140-6M |          | 140              | 9540                                       | 92.2  | 103                                | 12250                                | 81.6                          | 35          |
| FALCO 3 3P3 8027.180-4M |          | 180              | 7960                                       | 81.6  | 97                                 | 10286                                | 70.9                          | 35          |
| FALCO 3 3P3 8027.180-6M |          | 180              | 11830                                      | 119   | 99                                 | 15429                                | 106                           | 35          |
| FALCO 3 3P3 8027.070-4M | SP-M25   | 70               | 3540                                       | 31.8  | 111                                | 4222                                 | 26.5                          | 50          |
| FALCO 3 3P3 8027.100-4M |          | 100              | 4940                                       | 44.8  | 110                                | 5949                                 | 38.3                          | 50          |
| FALCO 3 3P3 8027.100-6M |          | 100              | 7340                                       | 66.2  | 110                                | 8924                                 | 57.4                          | 50          |
| FALCO 3 3P3 8027.120-4M |          | 120              | 5820                                       | 53.8  | 108                                | 7070                                 | 46.3                          | 50          |
| FALCO 3 3P3 8027.120-6M |          | 120              | 8650                                       | 79.1  | 109                                | 10605                                | 69.5                          | 50          |
| FALCO 3 3P3 8027.140-4M |          | 140              | 6670                                       | 63  | 105                                | 8166                                 | 54.4                          | 50          |
| FALCO 3 3P3 8027.140-6M |          | 140              | 9910                                       | 92.2  | 107                                | 12250                                | 81.6                          | 35          |
| FALCO 3 3P3 8027.180-4M |          | 180              | 8270                                       | 81.6  | 101                                | 10286                                | 70.9                          | 35          |
| FALCO 3 3P3 8027.180-6M |          | 180              | 12300                                      | 119   | 103                                | 15429                                | 106                           | 35          |
| FALCO 3 3P3 8027.070-4M | SP-S15   | 70               | 3710                                       | 31.8  | 116                                | 4222                                 | 26.5                          | 50          |
| FALCO 3 3P3 8027.100-4M |          | 100              | 5180                                       | 44.8  | 115                                | 5949                                 | 38.3                          | 50          |
| FALCO 3 3P3 8027.100-6M |          | 100              | 7720                                       | 66.2  | 116                                | 8924                                 | 57.4                          | 50          |
| FALCO 3 3P3 8027.120-4M |          | 120              | 6110                                       | 53.8  | 113                                | 7070                                 | 46.3                          | 50          |
| FALCO 3 3P3 8027.120-6M |          | 120              | 9100                                       | 79.1  | 115                                | 10605                                | 69.5                          | 50          |
| FALCO 3 3P3 8027.140-4M |          | 140              | 7000                                       | 63  | 111                                | 8166                                 | 54.4                          | 50          |
| FALCO 3 3P3 8027.140-6M |          | 140              | 10420                                      | 92.2  | 113                                | 12250                                | 81.6                          | 35          |
| FALCO 3 3P3 8027.180-4M |          | 180              | 8690                                       | 81.6  | 106                                | 10286                                | 70.9                          | 35          |
| FALCO 3 3P3 8027.180-6M |          | 180              | 12920                                      | 119   | 108                                | 15429                                | 106                           | 35          |

| LUMINAIRE               | OPTIC  | LED CURRENT (mA) | RATED LUMINAIRE FLUX* (Tq=25°C, 2700K, lm) | RATED LUMINAIRE POWER* (Tq=25°C, Vin=230Vac, F/DA/DAC, W) | LUMINAIRE EFFICACY (Tq=25°C, lm/W) | RATED LED FLUX* (Tj=85°C, 2700K, lm) | RATED LED POWER* (Tj=85°C, W) | Ta MAX (°C) |
|-------------------------|--------|------------------|--|---|------------------------------------|--------------------------------------|-------------------------------|-------------|
| FALCO 3 3P3 8027.070-4M | SP-W40 | 70               | 3760                                       | 31.8  | 118                                | 4222                                 | 26.5                          | 50          |
| FALCO 3 3P3 8027.100-4M |        | 100              | 5250                                       | 44.8  | 117                                | 5949                                 | 38.3                          | 50          |
| FALCO 3 3P3 8027.100-6M |        | 100              | 7810                                       | 66.2  | 117                                | 8924                                 | 57.4                          | 50          |
| FALCO 3 3P3 8027.120-4M |        | 120              | 6190                                       | 53.8  | 115                                | 7070                                 | 46.3                          | 50          |
| FALCO 3 3P3 8027.120-6M |        | 120              | 9200                                       | 79.1  | 116                                | 10605                                | 69.5                          | 50          |
| FALCO 3 3P3 8027.140-4M |        | 140              | 7090                                       | 63  | 112                                | 8166                                 | 54.4                          | 50          |
| FALCO 3 3P3 8027.140-6M |        | 140              | 10550                                      | 92.2  | 114                                | 12250                                | 81.6                          | 35          |
| FALCO 3 3P3 8027.180-4M |        | 180              | 8800                                       | 81.6  | 107                                | 10286                                | 70.9                          | 35          |
| FALCO 3 3P3 8027.180-6M |        | 180              | 13070                                      | 119   | 109                                | 15429                                | 106                           | 35          |
| FALCO 3 3P3 8027.070-4M |        | SP-WW60          | 70   | 3620  | 31.8                               | 113                                  | 4222                          | 26.5        |
| FALCO 3 3P3 8027.100-4M | 100    |                  | 5060                                       | 44.8  | 112                                | 5949                                 | 38.3                          | 50          |
| FALCO 3 3P3 8027.100-6M | 100    |                  | 7530                                       | 66.2  | 113                                | 8924                                 | 57.4                          | 50          |
| FALCO 3 3P3 8027.120-4M | 120    |                  | 5970                                       | 53.8  | 110                                | 7070                                 | 46.3                          | 50          |
| FALCO 3 3P3 8027.120-6M | 120    |                  | 8870                                       | 79.1  | 112                                | 10605                                | 69.5                          | 50          |
| FALCO 3 3P3 8027.140-4M | 140    |                  | 6840                                       | 63  | 108                                | 8166                                 | 54.4                          | 50          |
| FALCO 3 3P3 8027.140-6M | 140    |                  | 10170                                      | 92.2  | 110                                | 12250                                | 81.6                          | 35          |
| FALCO 3 3P3 8027.180-4M | 180    |                  | 8480                                       | 81.6  | 103                                | 10286                                | 70.9                          | 35          |
| FALCO 3 3P3 8027.180-6M | 180    |                  | 12610                                      | 119   | 105                                | 15429                                | 106                           | 35          |

\*RATED LUMINAIRE FLUX / RATED LUMINAIRE POWER: Rated data obtained in laboratory.

\*RATED LED FLUX / RATED LED POWER: Rated data extrapolated from LED manufacturer datasheet.

Values indicated in this technical sheet are to be considered rated values. Flux tolerance:  $\pm 7\%$ . Power tolerance:  $\pm 7\%$ .

Power tolerance with ZHAGA version or power supply D4i/SR:  $\pm 10\%$ .

The characteristics of the product listed above are subjected to change without notice.



| LUMINAIRE               | OPTIC    | LED CURRENT (mA) | RATED LUMINAIRE FLUX* (Tq=25°C, 2200K, lm) | RATED LUMINAIRE POWER* (Tq=25°C, Vin=230Vac, F/DA/DAC, W) | LUMINAIRE EFFICACY (Tq=25°C, lm/W) | RATED LED FLUX* (Tj=85°C, 2200K, lm) | RATED LED POWER* (Tj=85°C, W) | Ta MAX (°C) |
|-------------------------|----------|------------------|--|---|------------------------------------|--------------------------------------|-------------------------------|-------------|
| FALCO 3 3P3 8022.070-4M | EL-15-60 | 70               | 3070                                       | 31.8  | 96                                 | 3810                                 | 26.5                          | 50          |
| FALCO 3 3P3 8022.100-4M |          | 100              | 4280                                       | 44.8  | 95                                 | 5369                                 | 38.3                          | 50          |
| FALCO 3 3P3 8022.100-6M |          | 100              | 6370                                       | 66.2  | 96                                 | 8053                                 | 57.4                          | 50          |
| FALCO 3 3P3 8022.120-4M |          | 120              | 5050                                       | 53.8  | 93                                 | 6380                                 | 46.3                          | 50          |
| FALCO 3 3P3 8022.120-6M |          | 120              | 7510                                       | 79.1  | 94                                 | 9570                                 | 69.5                          | 50          |
| FALCO 3 3P3 8022.140-4M |          | 140              | 5790                                       | 63  | 91                                 | 7370                                 | 54.4                          | 50          |
| FALCO 3 3P3 8022.140-6M |          | 140              | 8610                                       | 92.2  | 93                                 | 11054                                | 81.6                          | 35          |
| FALCO 3 3P3 8022.180-4M |          | 180              | 7180                                       | 81.6  | 87                                 | 9282                                 | 70.9                          | 35          |
| FALCO 3 3P3 8022.180-6M |          | 180              | 10680                                      | 119   | 89                                 | 13923                                | 106                           | 35          |
| FALCO 3 3P3 8022.070-4M | SP-M25   | 70               | 3190                                       | 31.8  | 100                                | 3810                                 | 26.5                          | 50          |
| FALCO 3 3P3 8022.100-4M |          | 100              | 4450                                       | 44.8  | 99                                 | 5369                                 | 38.3                          | 50          |
| FALCO 3 3P3 8022.100-6M |          | 100              | 6620                                       | 66.2  | 99                                 | 8053                                 | 57.4                          | 50          |
| FALCO 3 3P3 8022.120-4M |          | 120              | 5250                                       | 53.8  | 97                                 | 6380                                 | 46.3                          | 50          |
| FALCO 3 3P3 8022.120-6M |          | 120              | 7810                                       | 79.1  | 98                                 | 9570                                 | 69.5                          | 50          |
| FALCO 3 3P3 8022.140-4M |          | 140              | 6020                                       | 63  | 95                                 | 7370                                 | 54.4                          | 50          |
| FALCO 3 3P3 8022.140-6M |          | 140              | 8950                                       | 92.2  | 97                                 | 11054                                | 81.6                          | 35          |
| FALCO 3 3P3 8022.180-4M |          | 180              | 7460                                       | 81.6  | 91                                 | 9282                                 | 70.9                          | 35          |
| FALCO 3 3P3 8022.180-6M |          | 180              | 11100                                      | 119   | 93                                 | 13923                                | 106                           | 35          |
| FALCO 3 3P3 8022.070-4M | SP-S15   | 70               | 3350                                       | 31.8  | 105                                | 3810                                 | 26.5                          | 50          |
| FALCO 3 3P3 8022.100-4M |          | 100              | 4680                                       | 44.8  | 104                                | 5369                                 | 38.3                          | 50          |
| FALCO 3 3P3 8022.100-6M |          | 100              | 6960                                       | 66.2  | 105                                | 8053                                 | 57.4                          | 50          |
| FALCO 3 3P3 8022.120-4M |          | 120              | 5510                                       | 53.8  | 102                                | 6380                                 | 46.3                          | 50          |
| FALCO 3 3P3 8022.120-6M |          | 120              | 8210                                       | 79.1  | 103                                | 9570                                 | 69.5                          | 50          |
| FALCO 3 3P3 8022.140-4M |          | 140              | 6320                                       | 63  | 100                                | 7370                                 | 54.4                          | 50          |
| FALCO 3 3P3 8022.140-6M |          | 140              | 9410                                       | 92.2  | 102                                | 11054                                | 81.6                          | 35          |
| FALCO 3 3P3 8022.180-4M |          | 180              | 7840                                       | 81.6  | 96                                 | 9282                                 | 70.9                          | 35          |
| FALCO 3 3P3 8022.180-6M |          | 180              | 11660                                      | 119   | 97                                 | 13923                                | 106                           | 35          |

| LUMINAIRE               | OPTIC   | LED CURRENT (mA) | RATED LUMINAIRE FLUX* (Tq=25°C, 2200K, lm) | RATED LUMINAIRE POWER* (Tq=25°C, Vin=230Vac, F/DA/DAC, W) | LUMINAIRE EFFICACY (Tq=25°C, lm/W) | RATED LED FLUX* (Tj=85°C, 2200K, lm) | RATED LED POWER* (Tj=85°C, W) | Ta MAX (°C) |
|-------------------------|---------|------------------|--|---|------------------------------------|--------------------------------------|-------------------------------|-------------|
| FALCO 3 3P3 8022.070-4M | SP-W40  | 70               | 3390                                       | 31.8  | 106                                | 3810                                 | 26.5                          | 50          |
| FALCO 3 3P3 8022.100-4M |         | 100              | 4740                                       | 44.8  | 105                                | 5369                                 | 38.3                          | 50          |
| FALCO 3 3P3 8022.100-6M |         | 100              | 7040                                       | 66.2  | 106                                | 8053                                 | 57.4                          | 50          |
| FALCO 3 3P3 8022.120-4M |         | 120              | 5590                                       | 53.8  | 103                                | 6380                                 | 46.3                          | 50          |
| FALCO 3 3P3 8022.120-6M |         | 120              | 8310                                       | 79.1  | 105                                | 9570                                 | 69.5                          | 50          |
| FALCO 3 3P3 8022.140-4M |         | 140              | 6400                                       | 63  | 101                                | 7370                                 | 54.4                          | 50          |
| FALCO 3 3P3 8022.140-6M |         | 140              | 9520                                       | 92.2  | 103                                | 11054                                | 81.6                          | 35          |
| FALCO 3 3P3 8022.180-4M |         | 180              | 7940                                       | 81.6  | 97                                 | 9282                                 | 70.9                          | 35          |
| FALCO 3 3P3 8022.180-6M |         | 180              | 11800                                      | 119   | 99                                 | 13923                                | 106                           | 35          |
| FALCO 3 3P3 8022.070-4M | SP-WW60 | 70               | 3270                                       | 31.8  | 102                                | 3810                                 | 26.5                          | 50          |
| FALCO 3 3P3 8022.100-4M |         | 100              | 4570                                       | 44.8  | 102                                | 5369                                 | 38.3                          | 50          |
| FALCO 3 3P3 8022.100-6M |         | 100              | 6790                                       | 66.2  | 102                                | 8053                                 | 57.4                          | 50          |
| FALCO 3 3P3 8022.120-4M |         | 120              | 5390                                       | 53.8  | 100                                | 6380                                 | 46.3                          | 50          |
| FALCO 3 3P3 8022.120-6M |         | 120              | 8010                                       | 79.1  | 101                                | 9570                                 | 69.5                          | 50          |
| FALCO 3 3P3 8022.140-4M |         | 140              | 6170                                       | 63  | 97                                 | 7370                                 | 54.4                          | 50          |
| FALCO 3 3P3 8022.140-6M |         | 140              | 9180                                       | 92.2  | 99                                 | 11054                                | 81.6                          | 35          |
| FALCO 3 3P3 8022.180-4M |         | 180              | 7650                                       | 81.6  | 93                                 | 9282                                 | 70.9                          | 35          |
| FALCO 3 3P3 8022.180-6M |         | 180              | 11380                                      | 119   | 95                                 | 13923                                | 106                           | 35          |

\*RATED LUMINAIRE FLUX / RATED LUMINAIRE POWER: Rated data obtained in laboratory.

\*RATED LED FLUX / RATED LED POWER: Rated data extrapolated from LED manufacturer datasheet.

Values indicated in this technical sheet are to be considered rated values. Flux tolerance:  $\pm 7\%$ . Power tolerance:  $\pm 7\%$ .

Power tolerance with ZHAGA version or power supply D4i/SR:  $\pm 10\%$ .

The characteristics of the product listed above are subjected to change without notice.