

FALKO

## FALKO 1

## MAIN CHARACTERISTICS

<b>Applications</b>	Urban and architectural lighting.
<b>Optic</b>	SSP-S15: Symmetrical optic for narrow-beam architectural lighting. SP-M25: Symmetrical Optic for medium-beam architectural lighting. SP-W40: Symmetrical Optic for wide-beam architectural lighting. SP-WW60: Symmetrical Optic for architectural wide-beam lighting. EL-15-60: Symmetrical optic for elliptical beam architectural lighting. Colour temperature: 4000K, 3000K, 2700K, 2200K (others in option)   CRI ≥80 Photobiological safety class: EXEMPT GROUP LED source efficiency: 185 lm/W @ 140mA, T <sub>j</sub> =85°C, 4000K
<b>Insulation class</b>	II, I
<b>Protection degree</b>	IP66/IP67   IK09
<b>Dimensions</b>	See the drawing
<b>Weight</b>	max 4.5 kg
<b>Exposed surface</b>	Side: 0.026m <sup>2</sup> – Top: 0.029m <sup>2</sup>
<b>Mounting</b>	Integrated bracket for Ø60 - Ø76 - Ø102 - Ø127 pole installation. Integrated bracket for wall installation.
<b>Tilt Angle</b>	±90°
<b>LED Modules</b>	Removable / Replaceable
<b>Gear tray</b>	Removable / Replaceable
<b>Operating temp.</b>	-40°C / +50°C
<b>Storage temperature</b>	-40°C / +80°C
<b>Main reference standards</b>	EN 60598-1, EN 60598-2-5, EN 62471, EN 55015, EN 61547, EN 61000-3-2, EN 61000-3-3



## ELECTRICAL CHARACTERISTICS

<b>Rated voltage</b>	220÷240V 50/60Hz (Standard tolerance ±10%. Other voltages and tolerances on request)
<b>Power factor</b>	>0.9 (at full load, F, DA, DAC)
<b>Mains connection</b>	Cable H07RN-F nx1mm <sup>2</sup> Optional: connector M/F IP66/68 for cables max. 2.5mm <sup>2</sup> , Ø max. 12mm
<b>Surge protection</b>	Up to 12kV With SPD: CL.II: 10kV / 10kV CM/DM   CL.I: 12kV / 10kV CM/DM Without SPD: CL.II: 10kV / 6kV CM/DM   CL.I: 10kV / 6kV CM/DM
<b>SPD (optional)</b>	12kV-10kA, type 2+3, with LED signal and thermo fuse to disconnect load at the end of life.
<b>Control system (options)</b>	F: Fixed power not dimmable. DA: Automatic dimming (virtual midnight) with default profile. DAC: Custom DA profile. FLC: Constant light flux. DALI: Digital dimming interface DALI.
<b>Optical unit lifetime (T<sub>q</sub>=25°C)</b>	>100.000hr L90B10 >100.000hr L90, TM-21

## MATERIALS

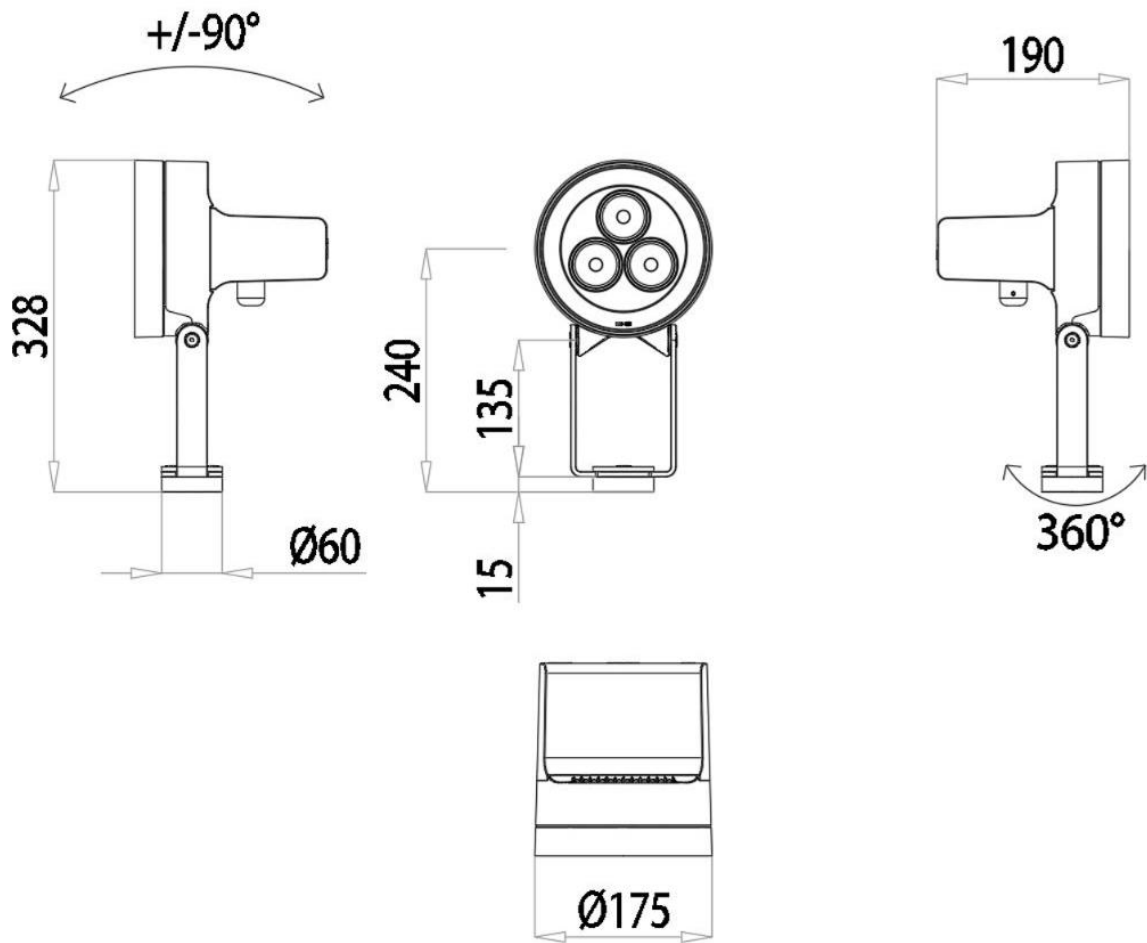
<b>Fixing</b>	Powder-coated sheet steel.
<b>Body</b>	Die-cast aluminium UNI EN1706. Powder-coated.
<b>Closure</b>	Stainless steel screws.
<b>Optic</b>	PMMA
<b>Screen</b>	Flat tempered glass, 5mm thick, high transparency.
<b>Cable gland</b>	Metallic - IP68
<b>Gasket</b>	Moulded silicone
<b>Colour</b>	Standard: Graphite - Code 01 Optional: see "Available Colours" below. (other colours on request)

## ACCESSORIES

<b>Glare shield</b>	Inner Honeycomb Full outer cylindrical screen Cylindrical outer screen half
<b>Optics carrier plate</b>	Standard: Gold or Black

GREENLIGHT

**DIMENSIONAL DRAWINGS**



**STANDARD COLOURING**



**OPTIONAL COLOURS**



LUMINAIRE	OPTIC	LED CURRENT (mA)	RATED LUMINAIRE FLUX* (Tq=25°C, 4000K, lm)	RATED LUMINAIRE POWER* (Tq=25°C, Vin=230Vac, F/DA/DAC, W)	LUMINAIRE EFFICACY (Tq=25°C, lm/W)	RATED LED FLUX* (Tj=85°C, 4000K, lm)	RATED LED POWER* (Tj=85°C, W)	Ta MAX (°C)
FALCO 1 3P3 8040.070-1M	EL-15-60	70	950	8.9	106	1171	6.6	50
FALCO 1 3P3 8040.100-1M		100	1320	12.3	107	1651	9.6	50
FALCO 1 3P3 8040.120-1M		120	1560	14.6	106	1961	11.6	50
FALCO 1 3P3 8040.140-1M		140	1780	16.9	105	2266	13.6	50
FALCO 1 3P3 8040.180-1M		180	2220	21.5	103	2854	17.7	35
FALCO 1 3P3 8040.070-1M	SP-M25	70	970	8.9	108	1171	6.6	50
FALCO 1 3P3 8040.100-1M		100	1370	12.3	111	1651	9.6	50
FALCO 1 3P3 8040.120-1M		120	1620	14.6	110	1961	11.6	50
FALCO 1 3P3 8040.140-1M		140	1860	16.9	110	2266	13.6	50
FALCO 1 3P3 8040.180-1M		180	2310	21.5	107	2854	17.7	35
FALCO 1 3P3 8040.070-1M	SP-S15	70	1030	8.9	115	1171	6.6	50
FALCO 1 3P3 8040.100-1M		100	1440	12.3	117	1651	9.6	50
FALCO 1 3P3 8040.120-1M		120	1700	14.6	116	1961	11.6	50
FALCO 1 3P3 8040.140-1M		140	1950	16.9	115	2266	13.6	50
FALCO 1 3P3 8040.180-1M		180	2420	21.5	112	2854	17.7	35
FALCO 1 3P3 8040.070-1M	SP-W40	70	1040	8.9	116	1171	6.6	50
FALCO 1 3P3 8040.100-1M		100	1460	12.3	118	1651	9.6	50
FALCO 1 3P3 8040.120-1M		120	1720	14.6	117	1961	11.6	50
FALCO 1 3P3 8040.140-1M		140	1970	16.9	116	2266	13.6	50
FALCO 1 3P3 8040.180-1M		180	2460	21.5	114	2854	17.7	35
FALCO 1 3P3 8040.070-1M	SP-WW60	70	1000	8.9	112	1171	6.6	50
FALCO 1 3P3 8040.100-1M		100	1400	12.3	113	1651	9.6	50
FALCO 1 3P3 8040.120-1M		120	1660	14.6	113	1961	11.6	50
FALCO 1 3P3 8040.140-1M		140	1900	16.9	112	2266	13.6	50
FALCO 1 3P3 8040.180-1M		180	2370	21.5	110	2854	17.7	35

\*RATED LUMINAIRE FLUX / RATED LUMINAIRE POWER: Rated data obtained in laboratory.

\*RATED LED FLUX / RATED LED POWER: Rated data extrapolated from LED manufacturer datasheet.

Values indicated in this technical sheet are to be considered rated values. Flux tolerance:  $\pm 7\%$ . Power tolerance:  $\pm 7\%$ .

Power tolerance with ZHAGA version or power supply D4i/SR:  $\pm 10\%$ .

The characteristics of the product listed above are subjected to change without notice.

LUMINAIRE	OPTIC	LED CURRENT (mA)	RATED LUMINAIRE FLUX* (Tq=25°C, 3000K, lm)	RATED LUMINAIRE POWER* (Tq=25°C, Vin=230Vac, F/DA/DAC, W)	LUMINAIRE EFFICACY (Tq=25°C, lm/W)	RATED LED FLUX* (Tj=85°C, 3000K, lm)	RATED LED POWER* (Tj=85°C, W)	Ta MAX (°C)
FALCO 1 3P3 8030.070-1M	EL-15-60	70	900	8.9	101	1120	6.6	50
FALCO 1 3P3 8030.100-1M		100	1260	12.3	102	1578	9.6	50
FALCO 1 3P3 8030.120-1M		120	1490	14.6	102	1875	11.6	50
FALCO 1 3P3 8030.140-1M		140	1710	16.9	101	2166	13.6	50
FALCO 1 3P3 8030.180-1M		180	2120	21.5	98	2728	17.7	35
FALCO 1 3P3 8030.070-1M	SP-M25	70	930	8.9	104	1120	6.6	50
FALCO 1 3P3 8030.100-1M		100	1310	12.3	106	1578	9.6	50
FALCO 1 3P3 8030.120-1M		120	1540	14.6	105	1875	11.6	50
FALCO 1 3P3 8030.140-1M		140	1770	16.9	104	2166	13.6	50
FALCO 1 3P3 8030.180-1M		180	2210	21.5	102	2728	17.7	35
FALCO 1 3P3 8030.070-1M	SP-S15	70	990	8.9	111	1120	6.6	50
FALCO 1 3P3 8030.100-1M		100	1370	12.3	111	1578	9.6	50
FALCO 1 3P3 8030.120-1M		120	1620	14.6	110	1875	11.6	50
FALCO 1 3P3 8030.140-1M		140	1860	16.9	110	2166	13.6	50
FALCO 1 3P3 8030.180-1M		180	2320	21.5	107	2728	17.7	35
FALCO 1 3P3 8030.070-1M	SP-W40	70	990	8.9	111	1120	6.6	50
FALCO 1 3P3 8030.100-1M		100	1390	12.3	113	1578	9.6	50
FALCO 1 3P3 8030.120-1M		120	1640	14.6	112	1875	11.6	50
FALCO 1 3P3 8030.140-1M		140	1890	16.9	111	2166	13.6	50
FALCO 1 3P3 8030.180-1M		180	2350	21.5	109	2728	17.7	35
FALCO 1 3P3 8030.070-1M	SP-WW60	70	960	8.9	107	1120	6.6	50
FALCO 1 3P3 8030.100-1M		100	1340	12.3	108	1578	9.6	50
FALCO 1 3P3 8030.120-1M		120	1580	14.6	108	1875	11.6	50
FALCO 1 3P3 8030.140-1M		140	1820	16.9	107	2166	13.6	50
FALCO 1 3P3 8030.180-1M		180	2260	21.5	105	2728	17.7	35

\*RATED LUMINAIRE FLUX / RATED LUMINAIRE POWER: Rated data obtained in laboratory.

\*RATED LED FLUX / RATED LED POWER: Rated data extrapolated from LED manufacturer datasheet.

Values indicated in this technical sheet are to be considered rated values. Flux tolerance:  $\pm 7\%$ . Power tolerance:  $\pm 7\%$ .

Power tolerance with ZHAGA version or power supply D4i/SR:  $\pm 10\%$ .

The characteristics of the product listed above are subjected to change without notice.

LUMINAIRE	OPTIC	LED CURRENT (mA)	RATED LUMINAIRE FLUX* (Tq=25°C, 2700K, lm)	RATED LUMINAIRE POWER* (Tq=25°C, Vin=230Vac, F/DA/DAC, W)	LUMINAIRE EFFICACY (Tq=25°C, lm/W)	RATED LED FLUX* (Tj=85°C, 2700K, lm)	RATED LED POWER* (Tj=85°C, W)	Ta MAX (°C)
FALCO 1 3P3 8027.070-1M	EL-15-60	70	850	8.9	95	1056	6.6	50
FALCO 1 3P3 8027.100-1M		100	1190	12.3	96	1487	9.6	50
FALCO 1 3P3 8027.120-1M		120	1400	14.6	95	1768	11.6	50
FALCO 1 3P3 8027.140-1M		140	1610	16.9	95	2042	13.6	50
FALCO 1 3P3 8027.180-1M		180	2000	21.5	93	2571	17.7	35
FALCO 1 3P3 8027.070-1M	SP-M25	70	880	8.9	98	1056	6.6	50
FALCO 1 3P3 8027.100-1M		100	1230	12.3	99	1487	9.6	50
FALCO 1 3P3 8027.120-1M		120	1460	14.6	100	1768	11.6	50
FALCO 1 3P3 8027.140-1M		140	1670	16.9	98	2042	13.6	50
FALCO 1 3P3 8027.180-1M		180	2080	21.5	96	2571	17.7	35
FALCO 1 3P3 8027.070-1M	SP-S15	70	930	8.9	104	1056	6.6	50
FALCO 1 3P3 8027.100-1M		100	1300	12.3	105	1487	9.6	50
FALCO 1 3P3 8027.120-1M		120	1530	14.6	104	1768	11.6	50
FALCO 1 3P3 8027.140-1M		140	1750	16.9	103	2042	13.6	50
FALCO 1 3P3 8027.180-1M		180	2180	21.5	101	2571	17.7	35
FALCO 1 3P3 8027.070-1M	SP-W40	70	940	8.9	105	1056	6.6	50
FALCO 1 3P3 8027.100-1M		100	1310	12.3	106	1487	9.6	50
FALCO 1 3P3 8027.120-1M		120	1550	14.6	106	1768	11.6	50
FALCO 1 3P3 8027.140-1M		140	1780	16.9	105	2042	13.6	50
FALCO 1 3P3 8027.180-1M		180	2210	21.5	102	2571	17.7	35
FALCO 1 3P3 8027.070-1M	SP-WW60	70	900	8.9	101	1056	6.6	50
FALCO 1 3P3 8027.100-1M		100	1260	12.3	102	1487	9.6	50
FALCO 1 3P3 8027.120-1M		120	1490	14.6	102	1768	11.6	50
FALCO 1 3P3 8027.140-1M		140	1710	16.9	101	2042	13.6	50
FALCO 1 3P3 8027.180-1M		180	2130	21.5	99	2571	17.7	35

\*RATED LUMINAIRE FLUX / RATED LUMINAIRE POWER: Rated data obtained in laboratory.  
 \*RATED LED FLUX / RATED LED POWER: Rated data extrapolated from LED manufacturer datasheet.  
 Values indicated in this technical sheet are to be considered rated values. Flux tolerance: ±7%. Power tolerance: ±7%.  
 Power tolerance with ZHAGA version or power supply D4i/SR: ±10%.  
 The characteristics of the product listed above are subjected to change without notice.

LUMINAIRE	OPTIC	LED CURRENT (mA)	RATED LUMINAIRE FLUX* (Tq=25°C, 2200K, lm)	RATED LUMINAIRE POWER* (Tq=25°C, Vin=230Vac, F/DA/DAC, W)	LUMINAIRE EFFICACY (Tq=25°C, lm/W)	RATED LED FLUX* (Tj=85°C, 2200K, lm)	RATED LED POWER* (Tj=85°C, W)	Ta MAX (°C)
FALCO 1 3P3 8022.070-1M	EL-15-60	70	770	8.9	86	953	6.6	50
FALCO 1 3P3 8022.100-1M		100	1070	12.3	86	1342	9.6	50
FALCO 1 3P3 8022.120-1M		120	1270	14.6	86	1595	11.6	50
FALCO 1 3P3 8022.140-1M		140	1450	16.9	85	1842	13.6	50
FALCO 1 3P3 8022.180-1M		180	1800	21.5	83	2321	17.7	35
FALCO 1 3P3 8022.070-1M	SP-M25	70	790	8.9	88	953	6.6	50
FALCO 1 3P3 8022.100-1M		100	1110	12.3	90	1342	9.6	50
FALCO 1 3P3 8022.120-1M		120	1310	14.6	89	1595	11.6	50
FALCO 1 3P3 8022.140-1M		140	1510	16.9	89	1842	13.6	50
FALCO 1 3P3 8022.180-1M		180	1880	21.5	87	2321	17.7	35
FALCO 1 3P3 8022.070-1M	SP-S15	70	840	8.9	94	953	6.6	50
FALCO 1 3P3 8022.100-1M		100	1170	12.3	95	1342	9.6	50
FALCO 1 3P3 8022.120-1M		120	1380	14.6	94	1595	11.6	50
FALCO 1 3P3 8022.140-1M		140	1580	16.9	93	1842	13.6	50
FALCO 1 3P3 8022.180-1M		180	1970	21.5	91	2321	17.7	35
FALCO 1 3P3 8022.070-1M	SP-W40	70	850	8.9	95	953	6.6	50
FALCO 1 3P3 8022.100-1M		100	1180	12.3	95	1342	9.6	50
FALCO 1 3P3 8022.120-1M		120	1400	14.6	95	1595	11.6	50
FALCO 1 3P3 8022.140-1M		140	1610	16.9	95	1842	13.6	50
FALCO 1 3P3 8022.180-1M		180	2000	21.5	93	2321	17.7	35
FALCO 1 3P3 8022.070-1M	SP-WW60	70	810	8.9	91	953	6.6	50
FALCO 1 3P3 8022.100-1M		100	1140	12.3	92	1342	9.6	50
FALCO 1 3P3 8022.120-1M		120	1350	14.6	92	1595	11.6	50
FALCO 1 3P3 8022.140-1M		140	1550	16.9	91	1842	13.6	50
FALCO 1 3P3 8022.180-1M		180	1920	21.5	89	2321	17.7	35

\*RATED LUMINAIRE FLUX / RATED LUMINAIRE POWER: Rated data obtained in laboratory.

\*RATED LED FLUX / RATED LED POWER: Rated data extrapolated from LED manufacturer datasheet.

Values indicated in this technical sheet are to be considered rated values. Flux tolerance:  $\pm 7\%$ . Power tolerance:  $\pm 7\%$ .

Power tolerance with ZHAGA version or power supply D4i/SR:  $\pm 10\%$ .

The characteristics of the product listed above are subjected to change without notice.