

NOOS 2

NOOS 2

MAIN CHARACTERISTICS

Applications	Street and urban lighting.
Optic	STE-M/S: Asymmetrical optic for suburban street lighting. STU-M/S: Asymmetrical optic for street, urban and cycle-path lighting. STW: Asymmetrical optic for wide urban and suburban road lighting, specific for wet asphalts. SV: Asymmetrical optic for very narrow urban streets or highway entrance/exit turns. S05/S07: Asymmetrical optic for street, urban and green areas lighting. STA: Asymmetrical optic for wide urban road and cycle-path lighting. Colour temperature: 4000K, 3000K, 2700K, 2200K (others in option) CRI ≥ 70 LOR= 100%, DLOR= 100%, ULOR= 0% Photobiological safety class: EXEMPT GROUP LED source efficiency: 185 lm/W @ 140mA, Tj=85°C, 4000K
Insulation class	II, I
Protection degree	IP66 IK09, IK08 for ZHAGA versions.
Dimensions	See the drawing
Weight	max 7.5 kg
Exposed surface	Side: 0.061m ² – Top: 0.143 m ² SCx: 0.066 m ²
Mounting	TP: Post-top mounting Ø76-102-127mm BR: Bracket Ø60mm BRF-L: Post-top mounting Ø102-127mm, with bracket L.500mm and L.1000mm. AC: Bracket on pole Ø102-114-127mm AM: Wall mounting
Tilt Angle	0°
LED Modules	Removable / Replaceable.
Gear tray	Removable. Removable plate optional.
Operating temp.	-40°C / +50°C
Storage temp	-40°C / +80°C
Main reference standards	EN 60598-1, EN 60598-2-3, EN 62471, EN 55015, EN 61547, EN 61000-3-2, EN-61000-3-3



ELECTRICAL CHARACTERISTICS

Rated voltage	220÷240V 50/60Hz (Standard tolerance +/-10%, other voltages and tolerances upon request)
Power factor	>0,95 (at full load - F, DA, DAC)
Mains connection	Cable H07RN-F nx1.5mm ² Optional: connector M/F IP66/68 for cables max. 2,5mm ² , Ø max. 12mm
Surge protection	Up to 12kV With SPD: CL.II: 10kV / 10kV CM/DM CL.I: 12kV / 10kV CM/DM Without SPD: CL.II: 10kV / 6kV CM/DM CL.I: 10kV / 6kV CM/DM
SPD (optional)	12kV-10kA, type 2+3, with LED signal and thermo fuse to disconnect load at the end of life.
Control system (options)	F: Fixed power not dimmable. DA: Automatic dimming (virtual midnight) with default profile. DAC: Custom DA profile. FLC: Constant light flux. DALI: Digital dimming interface DALI. NEMA: Socket 7 pin (ANSI C136.41). ZHAGA: Socket 4 pin (ZHAGA Book 18).
Optical unit lifetime (Tq=25°C)	>100.000hr L90B10 >100.000hr L90, TM-21

MATERIALS

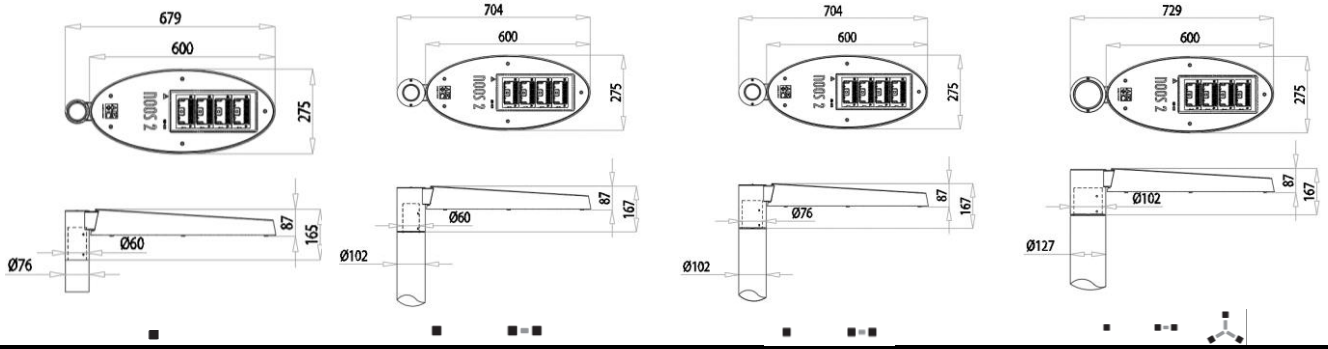
Fixing Body	Die-cast aluminum UNI EN1706 powder painted.
Closure	Stainless steel captive screws.
Optic	99.85% aluminum with a surface finish in 99.95% with vacuum-sealed deposition. Aluminum grade class A+ (DIN EN 16268)
Screen	Flat tempered glass, 5mm thickness high transparency.
Cable gland	Plastic M20x1.5 - IP68
Gasket	Polyurethane without joints.
Colour	Graphite - Cod. 01



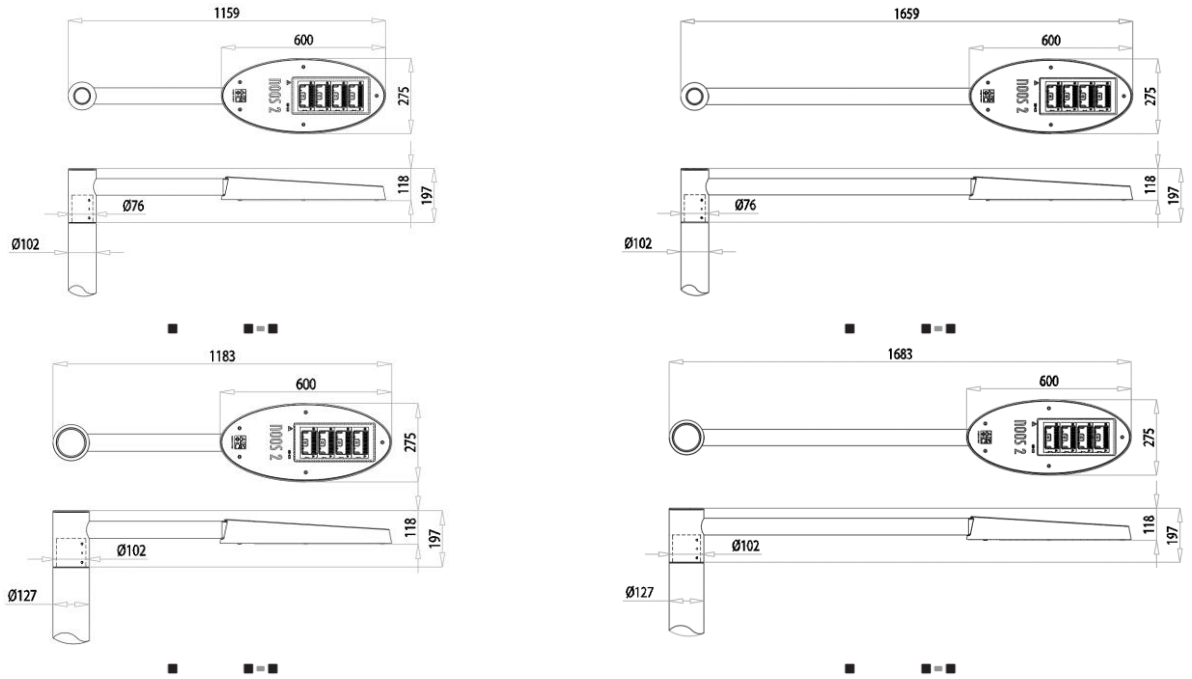
FIXING DETAILS

Product sheet

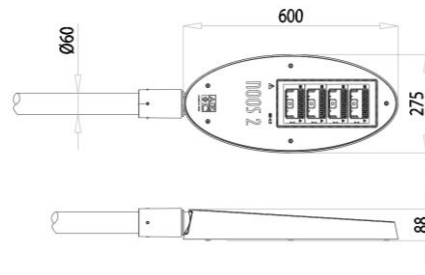
TP



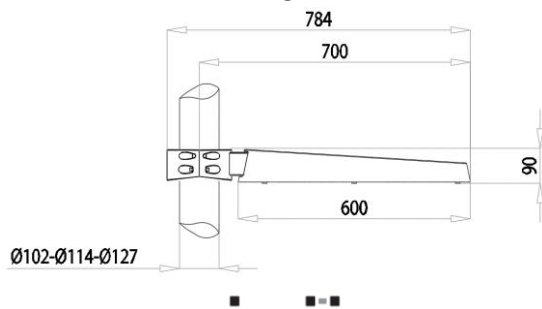
BRF-L



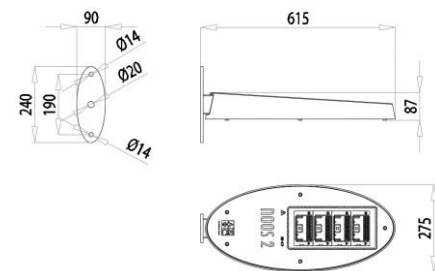
BR



AC



AM



LUMINAIRE	OPTIC	LED CURRENT (mA)	RATED LUMINAIRE FLUX* (Tq=25°C, 4000K, lm)	RATED LUMINAIRE POWER* (Tq=25°C, Vin=230Vac, F/DA/DAC, W)	LUMINAIRE EFFICACY (Tq=25°C, lm/W)	RATED LED FLUX* (Tj=85°C, 4000K, lm)	RATED LED POWER* (Tj=85°C, W)
NOOS 2 5P5 7040.060-3M	STE-M STU-M STW SV	60	5330	33.8	157	5541	28.2
NOOS 2 5P5 7040.060-4M			7170	43.4	165	7387	37.6
NOOS 2 5P5 7040.100-3M		100	8670	54.8	158	9069	47.9
NOOS 2 5P5 7040.100-4M			11550	72	160	12092	63.8
NOOS 2 5P5 7040.140-3M		140	11860	76.7	154	12449	68
NOOS 2 5P5 7040.140-4M			15610	102	153	16598	90.7
NOOS 2 5P5 7040.180-3M		180	14750	100	147	15680	88.7
NOOS 2 5P5 7040.180-4M			19410	132	147	20906	118
NOOS 2 5P5 7040.060-3M		S05 S07 STA STE-S STU-S	60	5210	33.8	154	5541
NOOS 2 5P5 7040.060-4M	7010			43.4	161	7387	37.6
NOOS 2 5P5 7040.100-3M	100		8480	54.8	154	9069	47.9
NOOS 2 5P5 7040.100-4M			11290	72	156	12092	63.8
NOOS 2 5P5 7040.140-3M	140		11600	76.7	151	12449	68
NOOS 2 5P5 7040.140-4M			15260	102	149	16598	90.7
NOOS 2 5P5 7040.180-3M	180		14420	100	144	15680	88.7
NOOS 2 5P5 7040.180-4M			18980	132	143	20906	118

*RATED LUMINAIRE FLUX / RATED LUMINAIRE POWER: Rated data obtained in laboratory.

*RATED LED FLUX / RATED LED POWER: Rated data extrapolated from LED manufacturer datasheet.

Values indicated in this technical sheet are to be considered rated values. Flux tolerance: ±7%. Power tolerance: ±7%.

Power tolerance with ZHAGA version or power supply D4i/SR: ±10%.

The characteristics of the product listed above are subjected to change without notice.

LUMINAIRE	OPTIC	LED CURRENT (mA)	RATED LUMINAIRE FLUX* (Tq=25°C, 3000K, lm)	RATED LUMINAIRE POWER* (Tq=25°C, Vin=230Vac, F/DA/DAC, W)	LUMINAIRE EFFICACY (Tq=25°C, lm/W)	RATED LED FLUX* (Tj=85°C, 3000K, lm)	RATED LED POWER* (Tj=85°C, W)
NOOS 2 5P5 7030.060-3M	STE-M STU-M STW SV	60	5010	33.8	148	5208	28.2
NOOS 2 5P5 7030.060-4M			6740	43.4	155	6944	37.6
NOOS 2 5P5 7030.100-3M		100	8150	54.8	148	8525	47.9
NOOS 2 5P5 7030.100-4M			10860	72	150	11367	63.8
NOOS 2 5P5 7030.140-3M		140	11150	76.7	145	11702	68
NOOS 2 5P5 7030.140-4M			14670	102	143	15602	90.7
NOOS 2 5P5 7030.180-3M		180	13870	100	138	14739	88.7
NOOS 2 5P5 7030.180-4M			18250	132	138	19652	118
NOOS 2 5P5 7030.060-3M	S05 S07 STA STE-S STU-S	60	4900	33.8	144	5208	28.2
NOOS 2 5P5 7030.060-4M			6590	43.4	151	6944	37.6
NOOS 2 5P5 7030.100-3M		100	7970	54.8	145	8525	47.9
NOOS 2 5P5 7030.100-4M			10610	72	147	11367	63.8
NOOS 2 5P5 7030.140-3M		140	10900	76.7	142	11702	68
NOOS 2 5P5 7030.140-4M			14340	102	140	15602	90.7
NOOS 2 5P5 7030.180-3M		180	13560	100	135	14739	88.7
NOOS 2 5P5 7030.180-4M			17840	132	135	19652	118

*RATED LUMINAIRE FLUX / RATED LUMINAIRE POWER: Rated data obtained in laboratory.

*RATED LED FLUX / RATED LED POWER: Rated data extrapolated from LED manufacturer datasheet.

Values indicated in this technical sheet are to be considered rated values. Flux tolerance: ±7%. Power tolerance: ±7%.

Power tolerance with ZHAGA version or power supply D4i/SR: ±10%.

The characteristics of the product listed above are subjected to change without notice.

LUMINAIRE	OPTIC	LED CURRENT (mA)	RATED LUMINAIRE FLUX* (Tq=25°C, 2700K, lm)	RATED LUMINAIRE POWER* (Tq=25°C, Vin=230Vac, F/DA/DAC, W)	LUMINAIRE EFFICACY (Tq=25°C, lm/W)	RATED LED FLUX* (Tj=85°C, 2700K, lm)	RATED LED POWER* (Tj=85°C, W)
NOOS 2 5P5 7027.060-3M	STE-M STU-M STW SV	60	4800	33.8	142	4986	28.2
NOOS 2 5P5 7027.060-4M			6450	43.4	148	6649	37.6
NOOS 2 5P5 7027.100-3M		100	7800	54.8	142	8162	47.9
NOOS 2 5P5 7027.100-4M			10400	72	144	10883	63.8
NOOS 2 5P5 7027.140-3M		140	10670	76.7	139	11204	68
NOOS 2 5P5 7027.140-4M			14050	102	137	14938	90.7
NOOS 2 5P5 7027.180-3M		180	13280	100	132	14112	88.7
NOOS 2 5P5 7027.180-4M			17470	132	132	18816	118
NOOS 2 5P5 7027.060-3M	S05 S07 STA STE-S STU-S	60	4690	33.8	138	4986	28.2
NOOS 2 5P5 7027.060-4M			6310	43.4	145	6649	37.6
NOOS 2 5P5 7027.100-3M		100	7630	54.8	139	8162	47.9
NOOS 2 5P5 7027.100-4M			10160	72	141	10883	63.8
NOOS 2 5P5 7027.140-3M		140	10440	76.7	136	11204	68
NOOS 2 5P5 7027.140-4M			13730	102	134	14938	90.7
NOOS 2 5P5 7027.180-3M		180	12980	100	129	14112	88.7
NOOS 2 5P5 7027.180-4M			17080	132	129	18816	118

*RATED LUMINAIRE FLUX / RATED LUMINAIRE POWER: Rated data obtained in laboratory.

*RATED LED FLUX / RATED LED POWER: Rated data extrapolated from LED manufacturer datasheet.

Values indicated in this technical sheet are to be considered rated values. Flux tolerance: ±7%. Power tolerance: ±7%.

Power tolerance with ZHAGA version or power supply D4i/SR: ±10%.

The characteristics of the product listed above are subjected to change without notice.

LUMINAIRE	OPTIC	LED CURRENT (mA)	RATED LUMINAIRE FLUX* (Tq=25°C, 2200K, lm)	RATED LUMINAIRE POWER* (Tq=25°C, Vin=230Vac, F/DA/DAC, W)	LUMINAIRE EFFICACY (Tq=25°C, lm/W)	RATED LED FLUX* (Tj=85°C, 2200K, lm)	RATED LED POWER* (Tj=85°C, W)
NOOS 2 5P5 7022.060-3M	STE-M STU-M STW SV	60	4320	33.8	127	4488	28.2
NOOS 2 5P5 7022.060-4M			5810	43.4	133	5984	37.6
NOOS 2 5P5 7022.100-3M		100	7020	54.8	128	7346	47.9
NOOS 2 5P5 7022.100-4M			9360	72	130	9795	63.8
NOOS 2 5P5 7022.140-3M		140	9610	76.7	125	10083	68
NOOS 2 5P5 7022.140-4M			12640	102	123	13445	90.7
NOOS 2 5P5 7022.180-3M		180	11950	100	119	12700	88.7
NOOS 2 5P5 7022.180-4M			15730	132	119	16934	118
NOOS 2 5P5 7022.060-3M	S05 S07 STA STE-S STU-S	60	4220	33.8	124	4488	28.2
NOOS 2 5P5 7022.060-4M			5680	43.4	130	5984	37.6
NOOS 2 5P5 7022.100-3M		100	6870	54.8	125	7346	47.9
NOOS 2 5P5 7022.100-4M			9140	72	126	9795	63.8
NOOS 2 5P5 7022.140-3M		140	9400	76.7	122	10083	68
NOOS 2 5P5 7022.140-4M			12360	102	121	13445	90.7
NOOS 2 5P5 7022.180-3M		180	11680	100	116	12700	88.7
NOOS 2 5P5 7022.180-4M			15370	132	116	16934	118

*RATED LUMINAIRE FLUX / RATED LUMINAIRE POWER: Rated data obtained in laboratory.

*RATED LED FLUX / RATED LED POWER: Rated data extrapolated from LED manufacturer datasheet.

Values indicated in this technical sheet are to be considered rated values. Flux tolerance: ±7%. Power tolerance: ±7%.

Power tolerance with ZHAGA version or power supply D4i/SR: ±10%.

The characteristics of the product listed above are subjected to change without notice.