

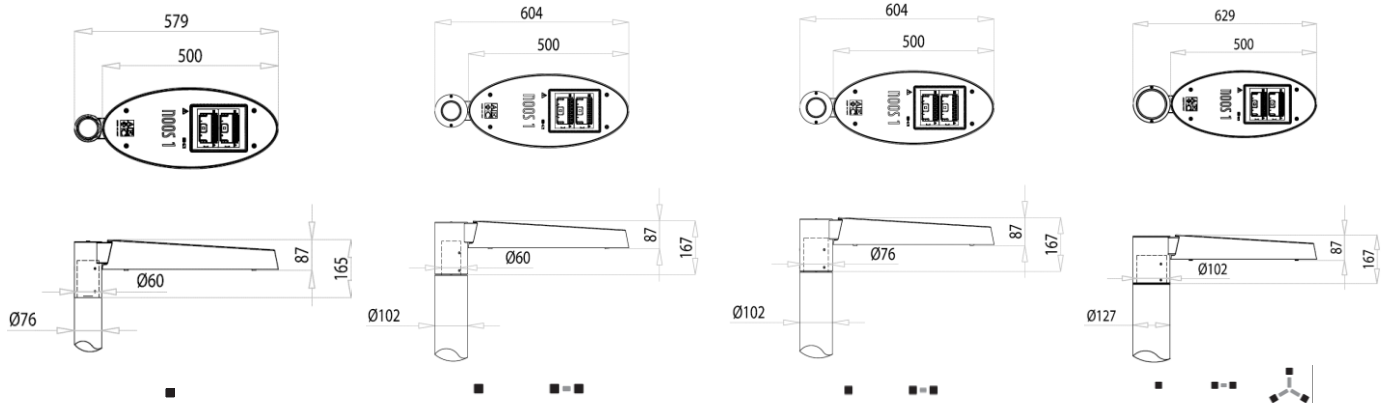
NOOS 1	
MAIN CHARACTERISTICS	
Applications	Street and urban lighting.
Optic	STE-M/S: Asymmetrical optic for suburban street lighting. STU-M/S: Asymmetrical optic for street, urban and cycle-path lighting. STW: Asymmetrical optic for wide urban and suburban road lighting, specific for wet asphalts. SV: Asymmetrical optic for very narrow urban streets or highway entrance/exit turns. S05/S07: Asymmetrical optic for street, urban and green areas lighting. STA: Asymmetrical optic for wide urban road and cycle-path lighting. Colour temperature: 4000K, 3000K, 2700K, 2200K (others in option) CRI ≥ 70 LOR= 100%, DLOR= 100%, ULOR= 0% Photobiological safety class: EXEMPT GROUP LED source efficiency: 185 lm/W @ 140mA, Tj=85°C, 4000K
Insulation class	II, I
Protection degree	IP66 IK09, IK08 for ZHAGA versions.
Dimensions	See the drawing
Weight	max 6 kg
Exposed surface	Side: 0.056m ² – Top: 0.104 m ² SCx: 0.061 m ²
Mounting	TP: Post-top mounting Ø76-102-127mm. BR: Bracket Ø60mm. BRF-L: Post-top mounting Ø102-127mm, with bracket L.500mm and L.1000mm. AC: Bracket on pole Ø102-114-127mm AM: Wall mounting.
Tilt Angle	0°
LED Modules	Removable / Replaceable.
Gear tray	Removable. Removable plate optional.
Operating temp.	-40°C / +50°C
Storage temp	-40°C / +80°C
Main reference standards	EN 60598-1, EN 60598-2-3, EN 62471, EN 55015, EN 61547, EN 61000-3-2, EN-61000-3-3
ELECTRICAL CHARACTERISTICS	
Rated voltage	220÷240V 50/60Hz (Standard tolerance +/-10%, other voltages and tolerances upon request)
Power factor	>0,95 (at full load - F, DA, DAC)
Mains connection	Cable H07RN-F nx1.5mm ² Optional: connector M/F IP66/68 for cables max. 2,5mm ² , Ø max. 12mm
Surge protection	Up to 12kV With SPD: CL.II: 10kV / 10kV CM/DM CL.I: 12kV / 10kV CM/DM Without SPD: CL.II: 10kV / 6kV CM/DM CL.I: 10kV / 6kV CM/DM
SPD (optional)	12kV-10kA, type 2+3, with LED signal and thermo fuse to disconnect load at the end of life.
Control system (options)	F: Fixed power not dimmable. DA: Automatic dimming (virtual midnight) with default profile. DAC: Custom DA profile. FLC: Constant light flux. DALI: Digital dimming interface DALI. NEMA: Socket 7 pin (ANSI C136.41). ZHAGA: Socket 4 pin (ZHAGA Book 18).
Optical unit lifetime (Tq=25°C)	>100.000hr L90B10 >100.000hr L90, TM-21
MATERIALS	
Fixing Body	Die-cast aluminum UNI EN1706 powder painted.
Closure	Stainless steel captive screws.
Optic	99.85% aluminum with a surface finish in 99.95% with vacuum-sealed deposition. Aluminum grade class A+ (DIN EN 16268)
Screen	Flat tempered glass, 5mm thickness high transparency.
Cable gland	Plastic M20x1.5 - IP68
Gasket	Polyurethane without joints.
Colour	Graphite - Cod. 01



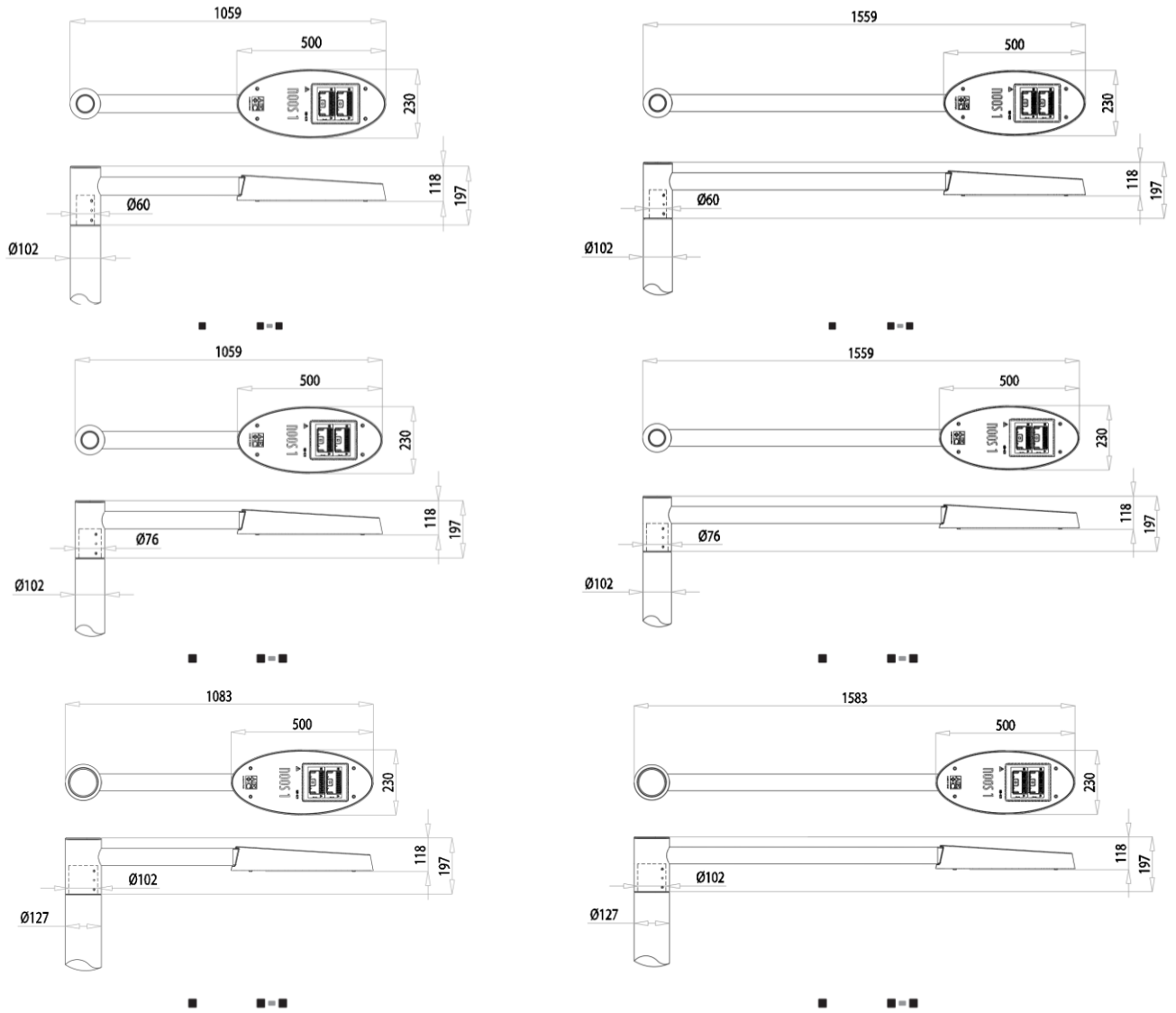
FIXING DETAILS

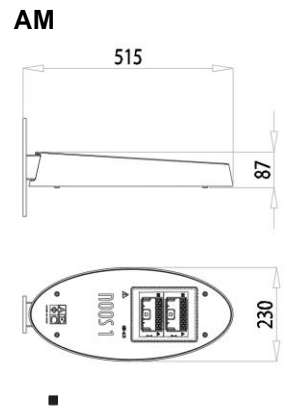
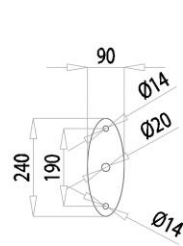
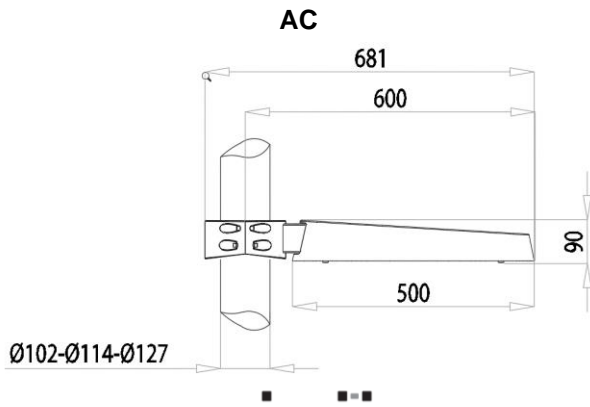
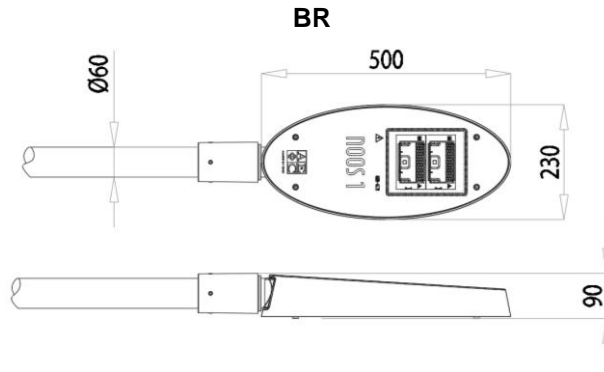
Product sheet

TP



BRF-L





LUMINAIRE	OPTIC	LED CURRENT (mA)	RATED LUMINAIRE FLUX* (Tq=25°C, 4000K, lm)	RATED LUMINAIRE POWER* (Tq=25°C, Vin=230Vac, F/DA/DAC, W)	LUMINAIRE EFFICACY (Tq=25°C, lm/W)	RATED LED FLUX* (Tj=85°C, 4000K, lm)	RATED LED POWER* (Tj=85°C, W)
NOOS 1 5P5 7040.060-1M	STE-M STU-M STW SV	60	1760	11.9	147	1847	9.4
NOOS 1 5P5 7040.060-2M			3550	23	154	3694	18.8
NOOS 1 5P5 7040.100-1M		100	2890	19.1	151	3023	16
NOOS 1 5P5 7040.100-2M			5790	37.4	154	6046	31.9
NOOS 1 5P5 7040.140-1M		140	4000	26.8	149	4150	22.7
NOOS 1 5P5 7040.140-2M			7930	52.3	151	8299	45.4
NOOS 1 5P5 7040.180-1M		180	5000	34.8	143	5227	29.6
NOOS 1 5P5 7040.180-2M			9870	67.7	145	10453	59.1
NOOS 1 5P5 7040.060-1M	S05 S07 STA STE-S STU-S	60	1730	11.9	145	1847	9.4
NOOS 1 5P5 7040.060-2M			3460	23	150	3694	18.8
NOOS 1 5P5 7040.100-1M		100	2830	19.1	148	3023	16
NOOS 1 5P5 7040.100-2M			5650	37.4	151	6046	31.9
NOOS 1 5P5 7040.140-1M		140	3900	26.8	145	4150	22.7
NOOS 1 5P5 7040.140-2M			7760	52.3	148	8299	45.4
NOOS 1 5P5 7040.180-1M		180	4870	34.8	139	5227	29.6
NOOS 1 5P5 7040.180-2M			9670	67.7	142	10453	59.1

*RATED LUMINAIRE FLUX / RATED LUMINAIRE POWER: Rated data obtained in laboratory.

*RATED LED FLUX / RATED LED POWER: Rated data extrapolated from LED manufacturer datasheet.

Values indicated in this technical sheet are to be considered rated values. Flux tolerance: $\pm 7\%$. Power tolerance: $\pm 7\%$.

Power tolerance with ZHAGA version or power supply D4i/SR: $\pm 10\%$.

The characteristics of the product listed above are subjected to change without notice.

LUMINAIRE	OPTIC	LED CURRENT (mA)	RATED LUMINAIRE FLUX* (Tq=25°C, 3000K, lm)	RATED LUMINAIRE POWER* (Tq=25°C, Vin=230Vac, F/DA/DAC, W)	LUMINAIRE EFFICACY (Tq=25°C, lm/W)	RATED LED FLUX* (Tj=85°C, 3000K, lm)	RATED LED POWER* (Tj=85°C, W)
NOOS 1 5P5 7030.060-1M	STE-M STU-M STW SV	60	1660	11.9	139	1736	9.4
NOOS 1 5P5 7030.060-2M			3340	23	145	3472	18.8
NOOS 1 5P5 7030.100-1M		100	2720	19.1	142	2842	16
NOOS 1 5P5 7030.100-2M			5440	37.4	145	5683	31.9
NOOS 1 5P5 7030.140-1M		140	3760	26.8	140	3901	22.7
NOOS 1 5P5 7030.140-2M			7450	52.3	142	7801	45.4
NOOS 1 5P5 7030.180-1M		180	4700	34.8	135	4913	29.6
NOOS 1 5P5 7030.180-2M			9280	67.7	137	9826	59.1
NOOS 1 5P5 7030.060-1M	S05 S07 STA STE-S STU-S	60	1630	11.9	136	1736	9.4
NOOS 1 5P5 7030.060-2M			3260	23	141	3472	18.8
NOOS 1 5P5 7030.100-1M		100	2660	19.1	139	2842	16
NOOS 1 5P5 7030.100-2M			5310	37.4	141	5683	31.9
NOOS 1 5P5 7030.140-1M		140	3670	26.8	136	3901	22.7
NOOS 1 5P5 7030.140-2M			7290	52.3	139	7801	45.4
NOOS 1 5P5 7030.180-1M		180	4580	34.8	131	4913	29.6
NOOS 1 5P5 7030.180-2M			9090	67.7	134	9826	59.1

*RATED LUMINAIRE FLUX / RATED LUMINAIRE POWER: Rated data obtained in laboratory.

*RATED LED FLUX / RATED LED POWER: Rated data extrapolated from LED manufacturer datasheet.

Values indicated in this technical sheet are to be considered rated values. Flux tolerance: $\pm 7\%$. Power tolerance: $\pm 7\%$.

Power tolerance with ZHAGA version or power supply D4i/SR: $\pm 10\%$.

The characteristics of the product listed above are subjected to change without notice.

LUMINAIRE	OPTIC	LED CURRENT (mA)	RATED LUMINAIRE FLUX* (Tq=25°C, 2700K, lm)	RATED LUMINAIRE POWER* (Tq=25°C, Vin=230Vac, F/DA/DAC, W)	LUMINAIRE EFFICACY (Tq=25°C, lm/W)	RATED LED FLUX* (Tj=85°C, 2700K, lm)	RATED LED POWER* (Tj=85°C, W)
NOOS 1 5P5 7027.060-1M	STE-M STU-M STW SV	60	1590	11.9	133	1662	9.4
NOOS 1 5P5 7027.060-2M			3200	23	139	3324	18.8
NOOS 1 5P5 7027.100-1M		100	2600	19.1	136	2721	16
NOOS 1 5P5 7027.100-2M			5210	37.4	139	5441	31.9
NOOS 1 5P5 7027.140-1M		140	3600	26.8	134	3735	22.7
NOOS 1 5P5 7027.140-2M			7140	52.3	136	7469	45.4
NOOS 1 5P5 7027.180-1M		180	4500	34.8	129	4704	29.6
NOOS 1 5P5 7027.180-2M			8890	67.7	131	9408	59.1
NOOS 1 5P5 7027.060-1M	S05 S07 STA STE-S STU-S	60	1560	11.9	131	1662	9.4
NOOS 1 5P5 7027.060-2M			3120	23	135	3324	18.8
NOOS 1 5P5 7027.100-1M		100	2550	19.1	133	2721	16
NOOS 1 5P5 7027.100-2M			5090	37.4	136	5441	31.9
NOOS 1 5P5 7027.140-1M		140	3510	26.8	130	3735	22.7
NOOS 1 5P5 7027.140-2M			6980	52.3	133	7469	45.4
NOOS 1 5P5 7027.180-1M		180	4380	34.8	125	4704	29.6
NOOS 1 5P5 7027.180-2M			8700	67.7	128	9408	59.1

*RATED LUMINAIRE FLUX / RATED LUMINAIRE POWER: Rated data obtained in laboratory.

*RATED LED FLUX / RATED LED POWER: Rated data extrapolated from LED manufacturer datasheet.

Values indicated in this technical sheet are to be considered rated values. Flux tolerance: ±7%. Power tolerance: ±7%.

Power tolerance with ZHAGA version or power supply D4i/SR: ±10%.

The characteristics of the product listed above are subjected to change without notice.

LUMINAIRE	OPTIC	LED CURRENT (mA)	RATED LUMINAIRE FLUX* (Tq=25°C, 2200K, lm)	RATED LUMINAIRE POWER* (Tq=25°C, Vin=230Vac, F/DA/DAC, W)	LUMINAIRE EFFICACY (Tq=25°C, lm/W)	RATED LED FLUX* (Tj=85°C, 2200K, lm)	RATED LED POWER* (Tj=85°C, W)	
NOOS 1 5P5 7022.060-1M	STE-M STU-M STW SV	60	1430	11.9	120	1496	9.4	
NOOS 1 5P5 7022.060-2M			2880	23	125	2992	18.8	
NOOS 1 5P5 7022.100-1M		100	2340	19.1	122	2449	16	
NOOS 1 5P5 7022.100-2M			4690	37.4	125	4897	31.9	
NOOS 1 5P5 7022.140-1M		140	3240	26.8	120	3361	22.7	
NOOS 1 5P5 7022.140-2M			6420	52.3	122	6722	45.4	
NOOS 1 5P5 7022.180-1M		180	4050	34.8	116	4233	29.6	
NOOS 1 5P5 7022.180-2M			8000	67.7	118	8467	59.1	
NOOS 1 5P5 7022.060-1M		S05 S07 STA STE-S STU-S	60	1400	11.9	117	1496	9.4
NOOS 1 5P5 7022.060-2M				2810	23	122	2992	18.8
NOOS 1 5P5 7022.100-1M	100		2290	19.1	119	2449	16	
NOOS 1 5P5 7022.100-2M			4580	37.4	122	4897	31.9	
NOOS 1 5P5 7022.140-1M	140		3160	26.8	117	3361	22.7	
NOOS 1 5P5 7022.140-2M			6290	52.3	120	6722	45.4	
NOOS 1 5P5 7022.180-1M	180		3940	34.8	113	4233	29.6	
NOOS 1 5P5 7022.180-2M			7830	67.7	115	8467	59.1	

*RATED LUMINAIRE FLUX / RATED LUMINAIRE POWER: Rated data obtained in laboratory.

*RATED LED FLUX / RATED LED POWER: Rated data extrapolated from LED manufacturer datasheet.

Values indicated in this technical sheet are to be considered rated values. Flux tolerance: ±7%. Power tolerance: ±7%.

Power tolerance with ZHAGA version or power supply D4i/SR: ±10%.

The characteristics of the product listed above are subjected to change without notice.