

ARYA S

MAIN CHARACTERISTICS

| | |
|---------------------------------|---|
| Applications | Street lighting. |
| Optic | <p>HC-S: Hyper Comfort symmetric optic for urban lighting and green areas. HC-ST: Hyper Comfort asymmetrical optic for urban lighting and green areas. STE-M/S: Asymmetrical optic for suburban street lighting. STU-M/S: Asymmetrical optic for street, urban and cycle-path lighting. STW: Asymmetrical optic for wide urban and suburban road lighting, specific for wet asphalts. SV: Asymmetrical optic for very narrow urban streets or highway entrance/exit turns. S05/S07: Asymmetrical optic for street, urban and green areas lighting. STA: Asymmetrical optic for wide urban road and cycle-path lighting. S: Symmetrical optic for urban lighting and green areas. Colour temperature: 4000K, 3000K, 2700K, 2200K (others in option) CRI ≥ 70 LOR= 100%, DLOR= 100%, ULOR= 0% Photobiological safety class: EXEMPT GROUP LED source efficiency: 174 lm/W @ 400mA, Tj=85°C, 4000K LED source efficiency: 185 lm/W @ 140mA, Tj=85°C, 4000K</p> |
| Insulation class | II, I |
| Protection degree | IP66/IP67 IK08 total |
| Dimensions | See the drawing |
| Weight | max 7 kg |
| Exposed surface | Side: 0.03m ² – Top: 0.17m ² |
| Mounting | Suspension with dedicated fixing for MPA and MZA brackets (Ø48mm) Optional: adapter for 1/2" GAS connection. |
| LED Modules | Removable / Replaceable |
| Gear tray | Removable / Replaceable |
| Operating temp. | -40°C / +55°C |
| Storage temp | -40°C / +80°C |
| Main reference standards | EN 60598-1, EN 60598-2-3, EN 62471, PD EPRS 003 / EN 62722-2-1 2016, EN 55015, EN 61547, EN 61000-3-2, EN-61000-3-3 |



ELECTRICAL CHARACTERISTICS

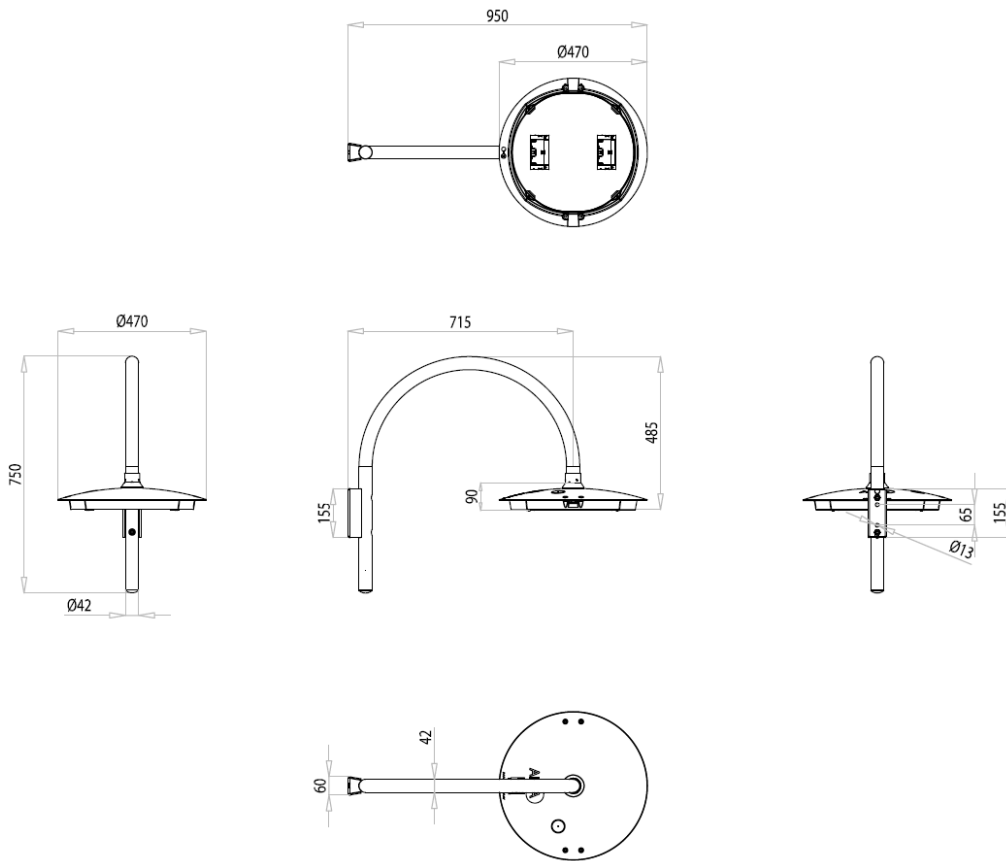
| | |
|--|---|
| Rated voltage | 220+240V 50/60Hz |
| Power factor | >0,9 (at full load, F, DA, DAC) |
| Mains connection | Cable H07RN-F nx1mm ² Optional: connector M/F IP66/68 for cables max. 2,5mm ² , Ø max. 12mm |
| Surge protection | Up to 12kV With SPD: CL.II: 10kV / 10kV CM/DM CL.I: 12kV / 10kV CM/DM Without SPD: CL.II: 10kV / 6kV CM/DM CL.I: 10kV / 6kV CM/DM |
| SPD (optional) | 12kV-10kA, type 2+3, with LED signal and thermo fuse to disconnect load at the end of life. |
| Control system (options) | <p>F: Fixed power not dimmable. DA: Automatic dimming (virtual midnight) with default profile. DAC: Custom DA profile. FLC: Constant light flux. DALI: Digital dimming interface DALI. NEMA: Socket 7 pin (ANSI C136.41). ZHAGA: Socket 4 pin (ZHAGA Book 18). TELEMAGEMENT: Wireless single point communication system available with Zhaga option (external node WL-ZHAGA is necessary).</p> |
| Optical unit lifetime (Tq=25°C) | >100.000hr L90B10 >100.000hr L90, TM-21 |

MATERIALS

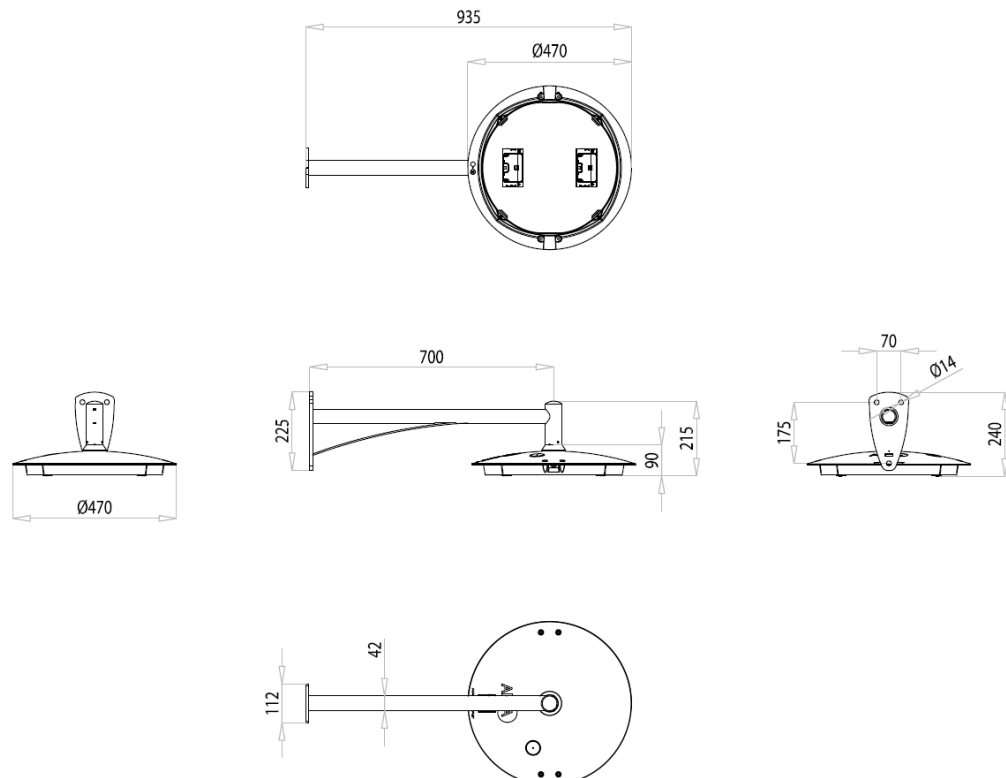
| | |
|--------------------|---|
| Fixing | Turned aluminium with stainless steel screws. Optional 1/2" GAS connection: stainless steel tube. |
| Body | Die-cast aluminium UNI EN1706 powder painted. |
| Optic | 99.85% aluminium with a surface finish in 99.95% with vacuum-sealed deposition. Aluminum grade class A+ (DIN EN 16268) |
| Screen | Flat tempered glass, 5mm thickness, high transparency. |
| Cable gland | Plastic M20x1.5 - IP68 |
| Gasket | Polyurethane without joints. |
| Colour | Graphite - Cod. 01 |



DIMENSIONAL DRAWINGS
ARYA S with bracket MPA



ARYA S with bracket MZA



| LUMINAIRE | OPTIC | LED CURRENT (mA) | RATED LUMINAIRE FLUX* (Tq=25°C, 4000K, lm) | RATED LUMINAIRE POWER* (Tq=25°C, Vin=230Vac, F/DA/DAC, W) | LUMINAIRE EFFICACY (Tq=25°C, lm/W) | RATED LED FLUX* (Tj=85°C, 4000K, lm) | RATED LED POWER* (Tj=85°C, W) | |
|------------------------|------------------------------|---------------------|--|--|--|--|-------------------------------------|------|
| ARYA S 5P5 7040.060-1M | STE-M STU-M STA SV | 60 | 1700 | 11.9 | 142.8 | 1847 | 9.4 | |
| ARYA S 5P5 7040.060-2M | | | 3410 | 23 | 148.2 | 3694 | 18.8 | |
| ARYA S 5P5 7040.100-1M | | 100 | 2780 | 19.1 | 145.5 | 3023 | 16 | |
| ARYA S 5P5 7040.100-2M | | | 5560 | 37.4 | 148.6 | 6046 | 31.9 | |
| ARYA S 5P5 7040.140-1M | | | 140 | 3840 | 26.8 | 143.2 | 4150 | 22.7 |
| ARYA S 5P5 7040.140-2M | | | | 7620 | 52.3 | 145.6 | 8299 | 45.4 |
| ARYA S 5P5 7040.060-1M | S05 S07 STE-S STU-S | 60 | 1660 | 11.9 | 139.4 | 1847 | 9.4 | |
| ARYA S 5P5 7040.060-2M | | | 3340 | 23 | 145.2 | 3694 | 18.8 | |
| ARYA S 5P5 7040.100-1M | | 100 | 2720 | 19.1 | 142.4 | 3023 | 16 | |
| ARYA S 5P5 7040.100-2M | | | 5440 | 37.4 | 145.4 | 6046 | 31.9 | |
| ARYA S 5P5 7040.140-1M | | | 140 | 3750 | 26.8 | 139.9 | 4150 | 22.7 |
| ARYA S 5P5 7040.140-2M | | | | 7450 | 52.3 | 142.4 | 8299 | 45.4 |
| ARYA S 5P5 7040.060-1M | STW | 60 | 1740 | 11.9 | 146.2 | 1847 | 9.4 | |
| ARYA S 5P5 7040.060-2M | | | 3490 | 23 | 151.7 | 3694 | 18.8 | |
| ARYA S 5P5 7040.100-1M | | 100 | 2850 | 19.1 | 149.2 | 3023 | 16 | |
| ARYA S 5P5 7040.100-2M | | | 5680 | 37.4 | 151.8 | 6046 | 31.9 | |
| ARYA S 5P5 7040.140-1M | | | 140 | 3930 | 26.8 | 146.6 | 4150 | 22.7 |
| ARYA S 5P5 7040.140-2M | | | | 7790 | 52.3 | 148.9 | 8299 | 45.4 |
| ARYA S 5P5 7040.060-2M | S | 60 | 3340 | 23 | 145.2 | 3694 | 18.8 | |
| ARYA S 5P5 7040.060-4M | | | 6590 | 43.4 | 151.8 | 7387 | 37.6 | |
| ARYA S 5P5 7040.100-2M | | 100 | 5440 | 37.4 | 145.4 | 6046 | 31.9 | |
| ARYA S 5P5 7040.100-4M | | | 10630 | 72 | 147.6 | 12092 | 63.8 | |
| ARYA S 5P5 7040.140-2M | | | 140 | 7450 | 52.3 | 142.4 | 8299 | 45.4 |
| ARYA S 5P5 7040.140-4M | | | | 14380 | 102 | 140.9 | 16598 | 90.7 |

| LUMINAIRE | OPTIC | LED CURRENT (mA) | RATED LUMINAIRE FLUX* (Tq=25°C, 4000K, lm) | RATED LUMINAIRE POWER* (Tq=25°C, Vin=230Vac, F/DA/DAC, W) | LUMINAIRE EFFICACY (Tq=25°C, lm/W) | RATED LED FLUX* (Tj=85°C, 4000K, lm) | RATED LED POWER* (Tj=85°C, W) |
|-------------------------|-------|---------------------|--|--|--|--|-------------------------------------|
| ARYA S 2Z8 7040.25-1M | HC-ST | 250 | 1570 | 13.5 | 116 | 2049 | 11 |
| ARYA S 2Z8 7040.25-2M | | | 3220 | 25 | 128 | 4097 | 22 |
| ARYA S 2Z8 7040.35-1M | HC-ST | 350 | 2170 | 18.5 | 117 | 2806 | 16 |
| ARYA S 2Z8 7040.35-2M | | | 4340 | 35 | 124 | 5612 | 31 |
| ARYA S 2Z8 7040.25-2M | HC-S | 250 | 3220 | 25 | 128 | 4097 | 22 |
| ARYA S 2Z8 7040.25-4M | | | 6410 | 47.5 | 134 | 8195 | 44 |
| ARYA S 2Z8 7040.35-2M | HC-S | 350 | 4340 | 35 | 124 | 5612 | 31 |
| ARYA S 2Z8 7040.35-4M** | | | 8640 | 68 | 127 | 11224 | 62 |

*RATED LUMINAIRE FLUX / RATED LUMINAIRE POWER: Rated data obtained in laboratory.

*RATED LED FLUX / RATED LED POWER: Rated data extrapolated from LED manufacturer datasheet.

Values indicated in this technical sheet are to be considered rated values. Flux tolerance: $\pm 7\%$. Power tolerance: $\pm 7\%$.

Power tolerance with ZHAGA version or power supply D4i/SR: $\pm 10\%$.

**Operating temperature: -40°C / $+40^{\circ}\text{C}$

Meets Dark Sky requirements when equipped with LEDs with a colour temperature of 3000K or less.

The characteristics of the product listed above are subjected to change without notice.

| LUMINAIRE | OPTIC | LED CURRENT (mA) | RATED LUMINAIRE FLUX* (Tq=25°C, 3000K, lm) | RATED LUMINAIRE POWER* (Tq=25°C, Vin=230Vac, F/DA/DAC, W) | LUMINAIRE EFFICACY (Tq=25°C, lm/W) | RATED LED FLUX* (Tj=85°C, 3000K, lm) | RATED LED POWER* (Tj=85°C, W) | |
|------------------------|------------------------------|------------------|--|---|------------------------------------|--------------------------------------|-------------------------------|------|
| ARYA S 5P5 7030.060-1M | STE-M STU-M STA SV | 60 | 1590 | 11.9 | 133.6 | 1736 | 9.4 | |
| ARYA S 5P5 7030.060-2M | | | 3210 | 23 | 139.5 | 3472 | 18.8 | |
| ARYA S 5P5 7030.100-1M | | 100 | 2610 | 19.1 | 136.6 | 2842 | 16 | |
| ARYA S 5P5 7030.100-2M | | | 5230 | 37.4 | 139.8 | 5683 | 31.9 | |
| ARYA S 5P5 7030.140-1M | | | 140 | 3610 | 26.8 | 134.7 | 3901 | 22.7 |
| ARYA S 5P5 7030.140-2M | | | | 7160 | 52.3 | 136.9 | 7801 | 45.4 |
| ARYA S 5P5 7030.060-1M | S05 S07 STE-S STU-S | 60 | 1560 | 11.9 | 131 | 1736 | 9.4 | |
| ARYA S 5P5 7030.060-2M | | | 3140 | 23 | 136.5 | 3472 | 18.8 | |
| ARYA S 5P5 7030.100-1M | | 100 | 2560 | 19.1 | 134 | 2842 | 16 | |
| ARYA S 5P5 7030.100-2M | | | 5110 | 37.4 | 136.6 | 5683 | 31.9 | |
| ARYA S 5P5 7030.140-1M | | | 140 | 3530 | 26.8 | 131.7 | 3901 | 22.7 |
| ARYA S 5P5 7030.140-2M | | | | 7000 | 52.3 | 133.8 | 7801 | 45.4 |
| ARYA S 5P5 7030.060-1M | STW | 60 | 1640 | 11.9 | 137.8 | 1736 | 9.4 | |
| ARYA S 5P5 7030.060-2M | | | 3280 | 23 | 142.6 | 3472 | 18.8 | |
| ARYA S 5P5 7030.100-1M | | 100 | 2680 | 19.1 | 140.3 | 2842 | 16 | |
| ARYA S 5P5 7030.100-2M | | | 5340 | 37.4 | 142.7 | 5683 | 31.9 | |
| ARYA S 5P5 7030.140-1M | | | 140 | 3690 | 26.8 | 137.6 | 3901 | 22.7 |
| ARYA S 5P5 7030.140-2M | | | | 7320 | 52.3 | 139.9 | 7801 | 45.4 |
| ARYA S 5P5 7030.060-2M | S | 60 | 3140 | 23 | 136.5 | 3472 | 18.8 | |
| ARYA S 5P5 7030.060-4M | | | 6200 | 43.4 | 142.8 | 6944 | 37.6 | |
| ARYA S 5P5 7030.100-2M | | 100 | 5110 | 37.4 | 136.6 | 5683 | 31.9 | |
| ARYA S 5P5 7030.100-4M | | | 9990 | 72 | 138.7 | 11367 | 63.8 | |
| ARYA S 5P5 7030.140-2M | | | 140 | 7000 | 52.3 | 133.8 | 7801 | 45.4 |
| ARYA S 5P5 7030.140-4M | | | | 13520 | 102 | 132.5 | 15602 | 90.7 |

| LUMINAIRE | OPTIC | LED CURRENT (mA) | RATED LUMINAIRE FLUX* (Tq=25°C, 3000K, lm) | RATED LUMINAIRE POWER* (Tq=25°C, Vin=230Vac, F/DA/DAC, W) | LUMINAIRE EFFICACY (Tq=25°C, lm/W) | RATED LED FLUX* (Tj=85°C, 3000K, lm) | RATED LED POWER* (Tj=85°C, W) |
|-------------------------|-------|------------------|--|---|------------------------------------|--------------------------------------|-------------------------------|
| ARYA S 2Z8 7030.25-1M | HC-ST | 250 | 1540 | 13.5 | 114 | 2008 | 11 |
| ARYA S 2Z8 7030.25-2M | | | 3160 | 25 | 126 | 4016 | 22 |
| ARYA S 2Z8 7030.35-1M | HC-ST | 350 | 2130 | 18.5 | 115 | 2750 | 16 |
| ARYA S 2Z8 7030.35-2M | | | 4250 | 35 | 121 | 5500 | 31 |
| ARYA S 2Z8 7030.25-2M | HC-S | 250 | 3160 | 25 | 126 | 4016 | 22 |
| ARYA S 2Z8 7030.25-4M | | | 6280 | 47.5 | 132 | 8031 | 44 |
| ARYA S 2Z8 7030.35-2M | HC-S | 350 | 4250 | 35 | 121 | 5500 | 31 |
| ARYA S 2Z8 7030.35-4M** | | | 8470 | 68 | 124 | 10999 | 62 |

*RATED LUMINAIRE FLUX / RATED LUMINAIRE POWER: Rated data obtained in laboratory.

*RATED LED FLUX / RATED LED POWER: Rated data extrapolated from LED manufacturer datasheet.

Values indicated in this technical sheet are to be considered rated values. Flux tolerance: $\pm 7\%$. Power tolerance: $\pm 7\%$.

Power tolerance with ZHAGA version or power supply D4i/SR: $\pm 10\%$.

**Operating temperature: -40°C / $+40^{\circ}\text{C}$

Meets Dark Sky requirements when equipped with LEDs with a colour temperature of 3000K or less.

The characteristics of the product listed above are subjected to change without notice.



| LUMINAIRE | OPTIC | LED CURRENT (mA) | RATED LUMINAIRE FLUX* (Tq=25°C, 2700K, lm) | RATED LUMINAIRE POWER* (Tq=25°C, Vin=230Vac, F/DA/DAC, W) | LUMINAIRE EFFICACY (Tq=25°C, lm/W) | RATED LED FLUX* (Tj=85°C, 2700K, lm) | RATED LED POWER* (Tj=85°C, W) | |
|------------------------|------------------------------|------------------|--|---|------------------------------------|--------------------------------------|-------------------------------|------|
| ARYA S 5P5 7027.060-1M | STE-M STU-M STA SV | 60 | 1530 | 11.9 | 128.5 | 1662 | 9.4 | |
| ARYA S 5P5 7027.060-2M | | | 3070 | 23 | 133.4 | 3324 | 18.8 | |
| ARYA S 5P5 7027.100-1M | | 100 | 2500 | 19.1 | 130.8 | 2721 | 16 | |
| ARYA S 5P5 7027.100-2M | | | 5000 | 37.4 | 133.6 | 5441 | 31.9 | |
| ARYA S 5P5 7027.140-1M | | | 140 | 3460 | 26.8 | 129.1 | 3735 | 22.7 |
| ARYA S 5P5 7027.140-2M | | | | 6860 | 52.3 | 131.1 | 7469 | 45.4 |
| ARYA S 5P5 7027.060-1M | S05 S07 STE-S STU-S | 60 | 1500 | 11.9 | 126 | 1662 | 9.4 | |
| ARYA S 5P5 7027.060-2M | | | 3010 | 23 | 130.8 | 3324 | 18.8 | |
| ARYA S 5P5 7027.100-1M | | 100 | 2450 | 19.1 | 128.2 | 2721 | 16 | |
| ARYA S 5P5 7027.100-2M | | | 4900 | 37.4 | 131 | 5441 | 31.9 | |
| ARYA S 5P5 7027.140-1M | | | 140 | 3380 | 26.8 | 126.1 | 3735 | 22.7 |
| ARYA S 5P5 7027.140-2M | | | | 6710 | 52.3 | 128.2 | 7469 | 45.4 |
| ARYA S 5P5 7027.060-1M | STW | 60 | 1570 | 11.9 | 131.9 | 1662 | 9.4 | |
| ARYA S 5P5 7027.060-2M | | | 3140 | 23 | 136.5 | 3324 | 18.8 | |
| ARYA S 5P5 7027.100-1M | | 100 | 2570 | 19.1 | 134.5 | 2721 | 16 | |
| ARYA S 5P5 7027.100-2M | | | 5110 | 37.4 | 136.6 | 5441 | 31.9 | |
| ARYA S 5P5 7027.140-1M | | | 140 | 3540 | 26.8 | 132 | 3735 | 22.7 |
| ARYA S 5P5 7027.140-2M | | | | 7010 | 52.3 | 134 | 7469 | 45.4 |
| ARYA S 5P5 7027.060-2M | S | 60 | 3010 | 23 | 130.8 | 3324 | 18.8 | |
| ARYA S 5P5 7027.060-4M | | | 5930 | 43.4 | 136.6 | 6649 | 37.6 | |
| ARYA S 5P5 7027.100-2M | | 100 | 4900 | 37.4 | 131 | 5441 | 31.9 | |
| ARYA S 5P5 7027.100-4M | | | 9570 | 72 | 132.9 | 10883 | 63.8 | |
| ARYA S 5P5 7027.140-2M | | | 140 | 6710 | 52.3 | 128.2 | 7469 | 45.4 |
| ARYA S 5P5 7027.140-4M | | | | 12940 | 102 | 126.8 | 14938 | 90.7 |

*RATED LUMINAIRE FLUX / RATED LUMINAIRE POWER: Rated data obtained in laboratory.
 *RATED LED FLUX / RATED LED POWER: Rated data extrapolated from LED manufacturer datasheet.
 Values indicated in this technical sheet are to be considered rated values. Flux tolerance: ±7%. Power tolerance: ±7%.
 Power tolerance with ZHAGA version or power supply D4i/SR: ±10%.
 **Operating temperature: -40°C / +40°C
 Meets Dark Sky requirements when equipped with LEDs with a colour temperature of 3000K or less.
 The characteristics of the product listed above are subjected to change without notice.



| LUMINAIRE | OPTIC | LED CURRENT (mA) | RATED LUMINAIRE FLUX* (Tq=25°C, 2200K, lm) | RATED LUMINAIRE POWER* (Tq=25°C, Vin=230Vac, F/DA/DAC, W) | LUMINAIRE EFFICACY (Tq=25°C, lm/W) | RATED LED FLUX* (Tj=85°C, 2200K, lm) | RATED LED POWER* (Tj=85°C, W) | |
|------------------------|------------------------------|------------------|--|---|------------------------------------|--------------------------------------|-------------------------------|------|
| ARYA S 5P5 7022.060-1M | STE-M STU-M STA SV | 60 | 1370 | 11.9 | 115.1 | 1496 | 9.4 | |
| ARYA S 5P5 7022.060-2M | | | 2770 | 23 | 120.4 | 2992 | 18.8 | |
| ARYA S 5P5 7022.100-1M | | 100 | 2250 | 19.1 | 117.8 | 2449 | 16 | |
| ARYA S 5P5 7022.100-2M | | | 4500 | 37.4 | 120.3 | 4897 | 31.9 | |
| ARYA S 5P5 7022.140-1M | | | 140 | 3110 | 26.8 | 116 | 3361 | 22.7 |
| ARYA S 5P5 7022.140-2M | | | | 6170 | 52.3 | 117.9 | 6722 | 45.4 |
| ARYA S 5P5 7022.060-1M | S05 S07 STE-S STU-S | 60 | 1350 | 11.9 | 113.4 | 1496 | 9.4 | |
| ARYA S 5P5 7022.060-2M | | | 2710 | 23 | 117.8 | 2992 | 18.8 | |
| ARYA S 5P5 7022.100-1M | | 100 | 2200 | 19.1 | 115.1 | 2449 | 16 | |
| ARYA S 5P5 7022.100-2M | | | 4410 | 37.4 | 117.9 | 4897 | 31.9 | |
| ARYA S 5P5 7022.140-1M | | | 140 | 3040 | 26.8 | 113.4 | 3361 | 22.7 |
| ARYA S 5P5 7022.140-2M | | | | 6030 | 52.3 | 115.2 | 6722 | 45.4 |
| ARYA S 5P5 7022.060-1M | STW | 60 | 1410 | 11.9 | 118.4 | 1496 | 9.4 | |
| ARYA S 5P5 7022.060-2M | | | 2830 | 23 | 123 | 2992 | 18.8 | |
| ARYA S 5P5 7022.100-1M | | 100 | 2310 | 19.1 | 120.9 | 2449 | 16 | |
| ARYA S 5P5 7022.100-2M | | | 4600 | 37.4 | 122.9 | 4897 | 31.9 | |
| ARYA S 5P5 7022.140-1M | | | 140 | 3180 | 26.8 | 118.6 | 3361 | 22.7 |
| ARYA S 5P5 7022.140-2M | | | | 6310 | 52.3 | 120.6 | 6722 | 45.4 |
| ARYA S 5P5 7022.060-2M | S | 60 | 2710 | 23 | 117.8 | 2992 | 18.8 | |
| ARYA S 5P5 7022.060-4M | | | 5340 | 43.4 | 123 | 5984 | 37.6 | |
| ARYA S 5P5 7022.100-2M | | 100 | 4410 | 37.4 | 117.9 | 4897 | 31.9 | |
| ARYA S 5P5 7022.100-4M | | | 8610 | 72 | 119.5 | 9795 | 63.8 | |
| ARYA S 5P5 7022.140-2M | | | 140 | 6030 | 52.3 | 115.2 | 6722 | 45.4 |
| ARYA S 5P5 7022.140-4M | | | | 11650 | 102 | 114.2 | 13445 | 90.7 |

*RATED LUMINAIRE FLUX / RATED LUMINAIRE POWER: Rated data obtained in laboratory.
 *RATED LED FLUX / RATED LED POWER: Rated data extrapolated from LED manufacturer datasheet.
 Values indicated in this technical sheet are to be considered rated values. Flux tolerance: ±7%. Power tolerance: ±7%.
 Power tolerance with ZHAGA version or power supply D4i/SR: ±10%.
 **Operating temperature: -40°C / +40°C
 Meets Dark Sky requirements when equipped with LEDs with a colour temperature of 3000K or less.
 The characteristics of the product listed above are subjected to change without notice.